



# LED Wall Pack

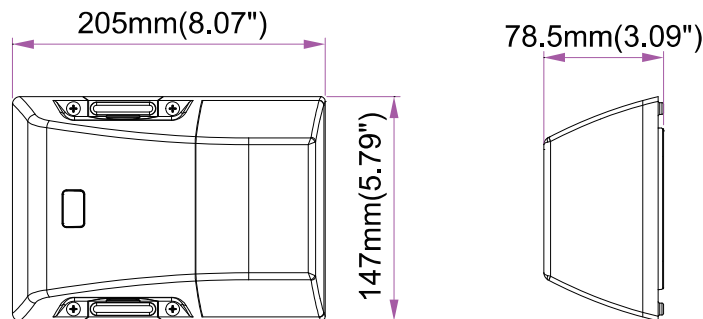




## Product Feature

- 1.Extremely easy for installation.With surface mounted kit,free disassembly,simple and fast installation,save much time.
- 2.Delicate appearance and structure which can save lots of shipping and storage cost.
- 3.Die-cast aluminum cooling design with better heat dissipation,LED Tj<185°F.
- 4.Excellent optics design,greatly improve the light utilization and uniformity.
- 5.Internal photocell design which can automatically turn on at dusk and turn off at dawn, the energy is saved.

## Product Dimension

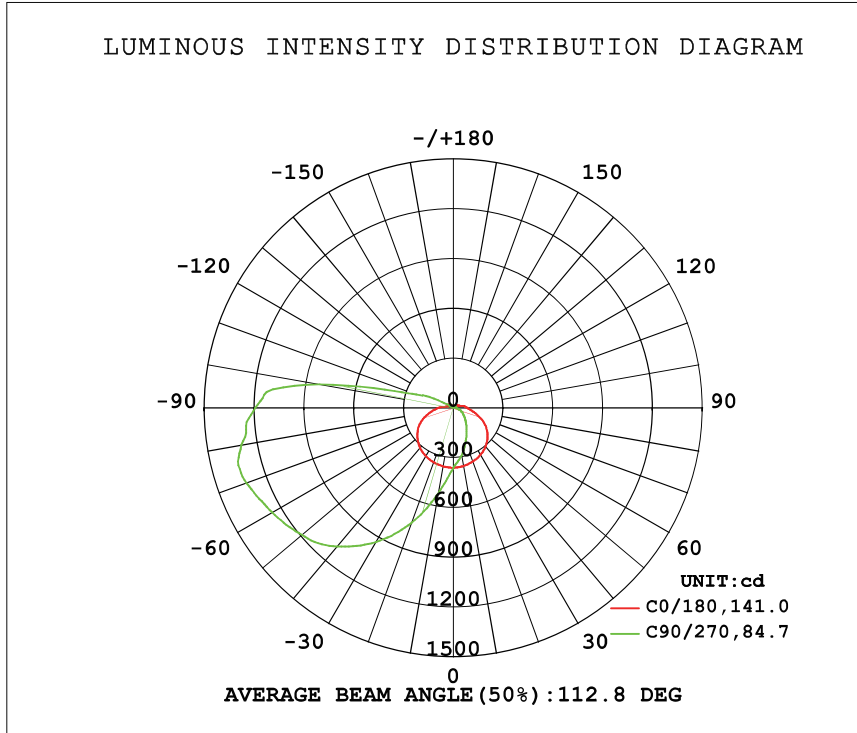


## Lighting Parameters

Park No.	TS-WPK04-14W -H-XXXK	TS-WPK04-18W -H-XXXK	TS-WPK04-26W -H-XXXK	TS-WPK04-30W -H-XXXK
Rate Current	0.15A	0.20A	0.27A	0.33A
Working Voltage	AC100-277V			
Beam Angle	90° x 140°			
Color Temperature	4000K,5000K,5700K			
Luminous Efficacy	110lm/W			
Color Rendering Index	Ra > 80			
Operating Temperature	-40°F ~ + 113°F / -40°C ~ +45°C			
Storage Temperature	-40°F ~ + 158°F / -40°C ~ +70°C			
Environment Location	Wet Location			
Life-span	≥50000H			
Materials	ADC12			
The color of the lamp shell	Brown			
Mounting	Bracket fixed			
Turn-on Light Level	<30Lux			
Turn-off Light Level	>100Lux			



## Optical Properties



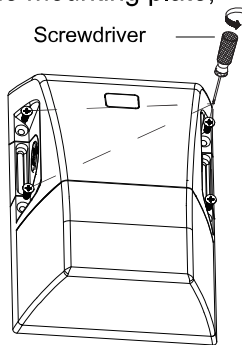
## Applications



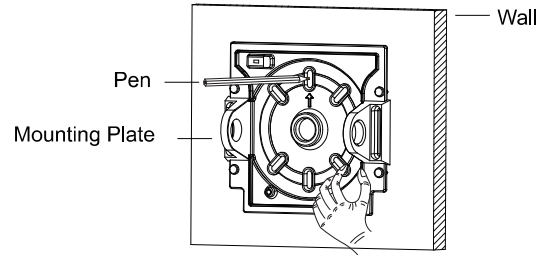


## Installation Instruction

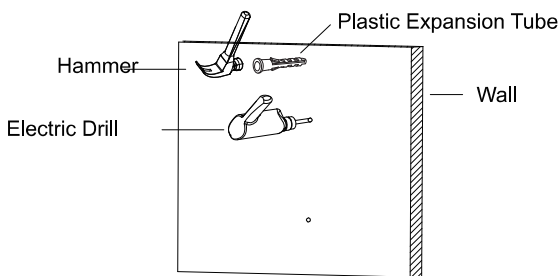
1 Disassemble the fixing screws of the lamp mounting plate with a screwdriver and remove the mounting plate;



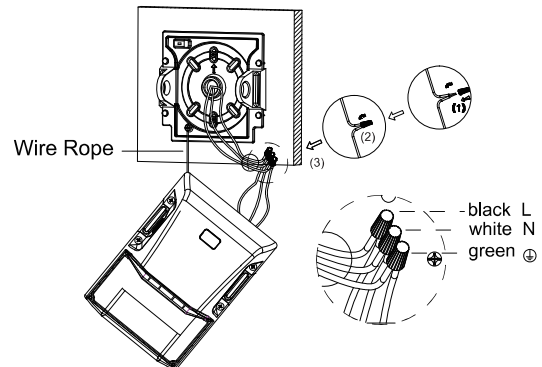
2 After knocking out the mounting holes with a hammer (at least 2 mounting holes and they should be in a symmetrical position), press the bracket on the wall with your hand and mark with the pen at the mounting screw position;



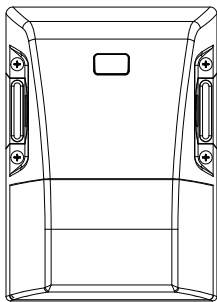
3 Use the electric drill to punch the hole at the mark position  $\text{\O}8\text{mm}$ , depth 40mm; and use a hammer to drive the plastic expansion tube into the hole;



4 Fix the bracket with a screwdriver, and fix the fixture installation wire rope on the mounting plate, connect the cable as shown and do a good waterproof treatment;



5 Put the lamp back on the mounting plate and secure the screws to complete the installation.





**Packing /weight** 

Power	Inner box (L*W*H)	Outer box (L*W*H)	Qty/Ctn (pcs)	N.W/pcs (kg/lbs)	G.W/Ctn (kg/lbs)	Remarks
14W 18W 26W 30W	8.3 ''*6.0''*3.4'' 212*154*86mm	18.9''*8.9''*18.1'' 480*227*460mm	15	15.0/33.0	17.5/38.6	0.3M cable

**Safety Information** 

- 1、 Using the standard working voltage: AC100~277V, 50/60Hz, do not exceed.
- 2、 Be sure the power supply is turned off before installation.
- 3、 Switch off power of the mains supply or the connection lead respectively before doing any works.
- 4、 Please note waterproof, dustproof, electricity prevention and shockproof for the external power wires.
- 5、 Directly fix bolts on the installation stem through the hole on the mounting bracket.
- 6、 Be sure the connection between the wires is in good condition when install the lamps, beware of leakage.
- 7、 Please read the specification carefully before installation.
- 8、 The complete installation must be handled by an electrical expert.

