

# Type A+B LED Tube

3 In 1



No need to consider one end power input or two end power input;  
No need to consider AC power input or with electronic ballast!

## Advantage

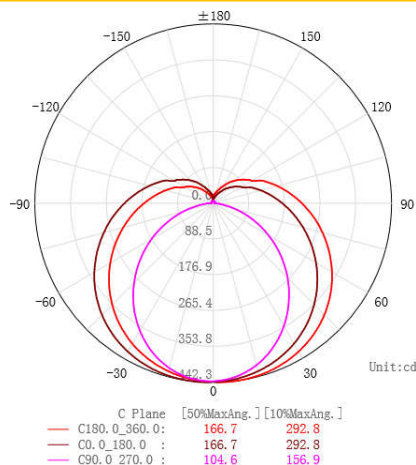
CLS Type A+B T8 dual function which can work with specific ballast is an energy saving product as special replacement for traditional fluorescent T8 lamps.

- 1) 3 in 1: Ballast compatible, single-ended ballast bypass, double-ended ballast bypass
- 2) Easy for stocking, reduce 66.66% stock space
- 3) Reduces energy consumption up to 60%.
- 4) Shatterproof design: Meets NSF requirements
- 5) Automatic production, high product consistency
- 5) Stable lumens output for different ballast brand
- 6) Lifespan: 50,000hrs
- 7) Warranty: 5 Years

## Specification

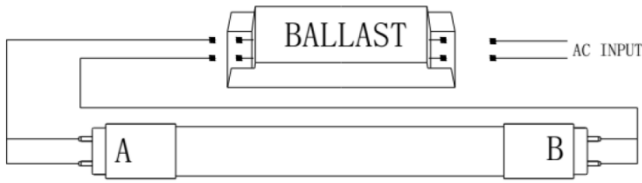
Model	Voltage (V)	Power (W)	Lumen (B)	Lumen efficiency (B)	CRI (Ra)	PF	Colour temperature (K)	Housing Material	LED type	THD	Beam Angle(°)
CLS-4FT-18WAB-40K	120-277V	18W	2200lm	125lm/W	83	0.9	4000K	Glass Coating	100PCS SMD2835	<20%	320°
CLS-4FT-18WAB-50K	120-277V	18W	2200lm	125lm/W	83	0.9	5000K	Glass Coating		<20%	320°
CLS-4FT-18WAB-30K	120-277V	18W	2200lm	125lm/W	83	0.9	3000K	Glass Coating		<20%	320°

## Distribution Diagram

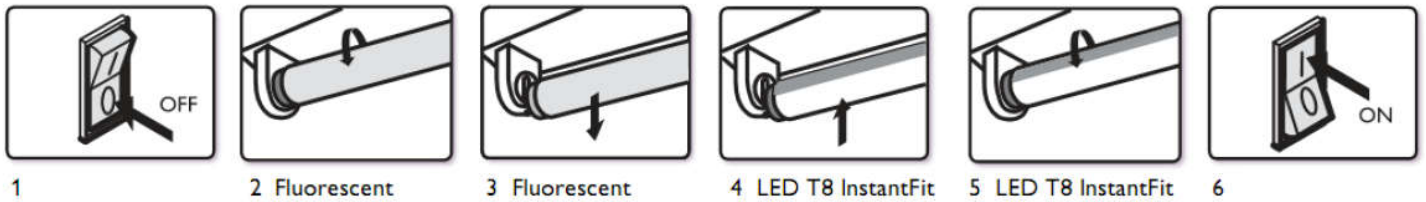


# Installation Instructions

## TYPE A (Ballast compatible) - Assembly introduction:

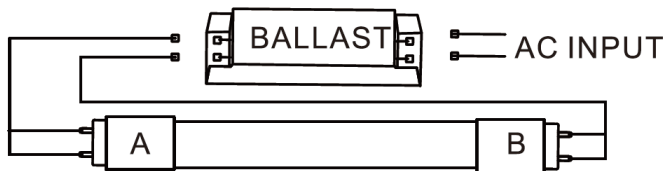


## Type A Installation Guide:

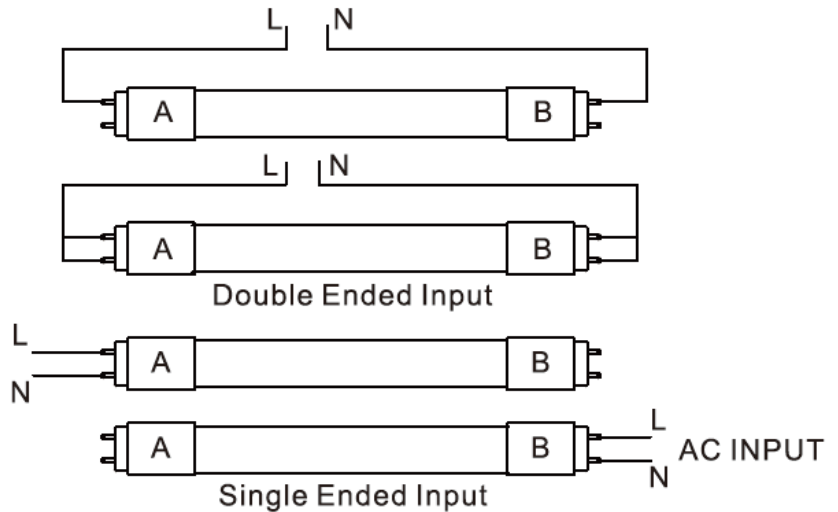


## TYPE B (AC directly, Single end and double end ballast bypass) - Assembly introduction:

**3 In 1**



Ballast Compatible



Input voltage: 120-277Vac 50/60Hz