

T8 LED Tube (TypeA+B)

Plug & Play direct

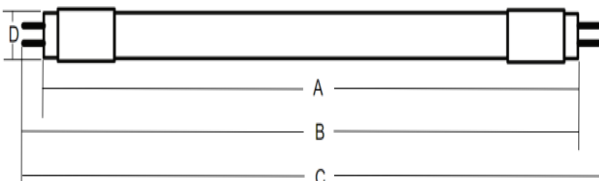
For: Replacement of T8 2FT/4FT fluorescent lamp.

3 in 1



FEATURES AND BENEFITS

- 3 in 1: PVTECH Type A+B T8 combines double ended power input and single ended power input or only single ended power, it is ballast compatible.
- A mode: Dimming ballast compatible and emergency ballast compatible
- Current leakage protection, passed UL1993 new standard (Review ID# 1993-2018-006)
- Safety: Constant power driver output when work with ballast bypass, double ended ballast bypass.
- Easy for stocking, can save 50% stock space
- Reduces energy consumption up to 60%.
- Shatterproof design: meets NSF requirements
Automatic production, high product consistency



PRODUCT SPECIFICATIONS

Body	Glass+PET coating
End cap	G13
Lens	Frosted
Input Voltage	120-277Vac,50/60hz
Power Factor	>0.9
Available colors	3000K,3500K,4000K,4100K,4500K, 5000K,5700K,6500K
CRI	Ra83
Dimming	Dimmable, dimming control by PVTECH 0-10V dimming module
Lifetime	50,000 Hours
Warranty	5 Years
Environmental Requirements	Operation Temp: -20 to 45°C Storage Temp: -20 to 85°C Relative Humidity: 45% to 85% Non-corrosive environments
Size	<p>2ft T8: A:589.0 mm B:596.0 mm C:603.0 mm D:26 mm</p> <p>3ft T8: A:894.0 mm B:901.0 mm C:908.0 mm D:26 mm</p> <p>4ft T8: A:1198.0 mm B:1205.0 mm C:1213.0 mm D:26 mm</p>

SPECIFICATION

Item No.	Power (Type B)	CCT	Lumen	CRI	Voltage (Type B)	Frequency (Type B)	PF	Field Angle (Bare lamp)	Beam angle (Bare lamp)	Target lamp
PV-4FT-18WAB3M(3000K)	18W	3000K	2160lm	Ra83	AC120-277V	50/60Hz	≥0.9	340°	200°	32W/48T8
PV-4FT-18WAB3M(3500K)	18W	3500K	2160lm	Ra83	AC120-277V	50/60Hz	≥0.9	340°	200°	32W/48T8
PV-4FT-18WAB3M(4000K)	18W	4000K	2250lm	Ra83	AC120-277V	50/60Hz	≥0.9	340°	200°	32W/48T8
PV-4FT-18WAB3M(4100K)	18W	4100K	2250lm	Ra83	AC120-277V	50/60Hz	≥0.9	340°	200°	32W/48T8
PV-4FT-18WAB3M(4500K)	18W	4500K	2250lm	Ra83	AC120-277V	50/60Hz	≥0.9	340°	200°	32W/48T8
PV-4FT-18WAB3M(5000K)	18W	5000K	2300lm	Ra83	AC120-277V	50/60Hz	≥0.9	340°	200°	32W/48T8
PV-4FT-18WAB3M(5700K)	18W	5700K	2300lm	Ra83	AC120-277V	50/60Hz	≥0.9	340°	200°	32W/48T8
PV-4FT-18WAB3M(6500K)	18W	6500K	2300lm	Ra83	AC120-277V	50/60Hz	≥0.9	340°	200°	32W/48T8
PV-4FT-15WAB3M(3000K)	15W	3000K	1980lm	Ra83	AC120-277V	50/60Hz	≥0.9	340°	200°	32W/48T8
PV-4FT-15WAB3M(3500K)	15W	3500K	1980lm	Ra83	AC120-277V	50/60Hz	≥0.9	340°	200°	32W/48T8
PV-4FT-15WAB3M(4000K)	15W	4000K	2050lm	Ra83	AC120-277V	50/60Hz	≥0.9	340°	200°	32W/48T8
PV-4FT-15WAB3M(4100K)	15W	4100K	2050lm	Ra83	AC120-277V	50/60Hz	≥0.9	340°	200°	32W/48T8
PV-4FT-15WAB3M(4500K)	15W	4500K	2050lm	Ra83	AC120-277V	50/60Hz	≥0.9	340°	200°	32W/48T8
PV-4FT-15WAB3M(5000K)	15W	5000K	2050lm	Ra83	AC120-277V	50/60Hz	≥0.9	340°	200°	32W/48T8
PV-4FT-15WAB3M(5700K)	15W	5700K	2050lm	Ra83	AC120-277V	50/60Hz	≥0.9	340°	200°	32W/48T8
PV-4FT-15WAB3M(6500K)	15W	6500K	2050lm	Ra83	AC120-277V	50/60Hz	≥0.9	340°	200°	32W/48T8
PV-4FT-12WAB3N(3000K)	12W	3000K	1700lm	Ra83	AC120-277V	50/60Hz	≥0.9	340°	200°	32W/48T8
PV-4FT-12WAB3N(3500K)	12W	3500K	1700lm	Ra83	AC120-277V	50/60Hz	≥0.9	340°	200°	32W/48T8
PV-4FT-12WAB3N(4000K)	12W	4000K	1800lm	Ra83	AC120-277V	50/60Hz	≥0.9	340°	200°	32W/48T8
PV-4FT-12WAB3N(4100K)	12W	4100K	1800lm	Ra83	AC120-277V	50/60Hz	≥0.9	340°	200°	32W/48T8
PV-4FT-12WAB3N(4500K)	12W	4500K	1800lm	Ra83	AC120-277V	50/60Hz	≥0.9	340°	200°	32W/48T8
PV-4FT-12WAB3N(5000K)	12W	5000K	1800lm	Ra83	AC120-277V	50/60Hz	≥0.9	340°	200°	32W/48T8
PV-4FT-12WAB3N(5700K)	12W	5700K	1850lm	Ra83	AC120-277V	50/60Hz	≥0.9	340°	200°	32W/48T8
PV-4FT-12WAB3N(6500K)	12W	6500K	1850lm	Ra83	AC120-277V	50/60Hz	≥0.9	340°	200°	32W/48T8
PV-4FT-10WAB3O(3000K)	10W	3000K	1550lm	Ra83	AC120-277V	50/60Hz	≥0.9	340°	200°	32W/48T8
PV-4FT-10WAB3O(3500K)	10W	3500K	1670lm	Ra83	AC120-277V	50/60Hz	≥0.9	340°	200°	32W/48T8
PV-4FT-10WAB3O(4000K)	10W	4000K	1670lm	Ra83	AC120-277V	50/60Hz	≥0.9	340°	200°	32W/48T8
PV-4FT-10WAB3O(4100K)	10W	4100K	1670lm	Ra83	AC120-277V	50/60Hz	≥0.9	340°	200°	32W/48T8
PV-4FT-10WAB3O(4500K)	10W	4500K	1670lm	Ra83	AC120-277V	50/60Hz	≥0.9	340°	200°	32W/48T8
PV-4FT-10WAB3O(5000K)	10W	5000K	1700lm	Ra83	AC120-277V	50/60Hz	≥0.9	340°	200°	32W/48T8
PV-4FT-10WAB3O(5700K)	10W	5700K	1700lm	Ra83	AC120-277V	50/60Hz	≥0.9	340°	200°	32W/48T8
PV-4FT-10WAB3O(6500K)	10W	6500K	1700lm	Ra83	AC120-277V	50/60Hz	≥0.9	340°	200°	32W/48T8
PV-3FT-12WAB3M(3000K)	12W	3000K	1450lm	Ra83	AC120-277V	50/60Hz	≥0.9	340°	200°	25W/36T8
PV-3FT-12WAB3M(3500K)	12W	3500K	1500lm	Ra83	AC120-277V	50/60Hz	≥0.9	340°	200°	25W/36T8
PV-3FT-12WAB3M(4000K)	12W	4000K	1500lm	Ra83	AC120-277V	50/60Hz	≥0.9	340°	200°	25W/36T8
PV-3FT-12WAB3M(4100K)	12W	4100K	1500lm	Ra83	AC120-277V	50/60Hz	≥0.9	340°	200°	25W/36T8
PV-3FT-12WAB3M(4500K)	12W	4500K	1500lm	Ra83	AC120-277V	50/60Hz	≥0.9	340°	200°	25W/36T8
PV-3FT-12WAB3M(5000K)	12W	5000K	1500lm	Ra83	AC120-277V	50/60Hz	≥0.9	340°	200°	25W/36T8
PV-3FT-12WAB3M(5700K)	12W	5700K	1500lm	Ra83	AC120-277V	50/60Hz	≥0.9	340°	200°	25W/36T8
PV-3FT-12WAB3M(6500K)	12W	6500K	1500lm	Ra83	AC120-277V	50/60Hz	≥0.9	340°	200°	25W/36T8
PV-2FT-8WAB3M(3000K)	8W	3000K	960lm	Ra83	AC120-277V	50/60Hz	≥0.9	340°	200°	17W/24T8
PV-2FT-8WAB3M(3500K)	8W	3500K	1000lm	Ra83	AC120-277V	50/60Hz	≥0.9	340°	200°	17W/24T8
PV-2FT-8WAB3M(4000K)	8W	4000K	1000lm	Ra83	AC120-277V	50/60Hz	≥0.9	340°	200°	17W/24T8
PV-2FT-8WAB3M(4100K)	8W	4100K	1000lm	Ra83	AC120-277V	50/60Hz	≥0.9	340°	200°	17W/24T8
PV-2FT-8WAB3M(4500K)	8W	4500K	1000lm	Ra83	AC120-277V	50/60Hz	≥0.9	340°	200°	17W/24T8
PV-2FT-8WAB3M(5000K)	8W	5000K	1000lm	Ra83	AC120-277V	50/60Hz	≥0.9	340°	200°	17W/24T8
PV-2FT-8WAB3M(5700K)	8W	5700K	1000lm	Ra83	AC120-277V	50/60Hz	≥0.9	340°	200°	17W/24T8
PV-2FT-8WAB3M(6500K)	8W	6500K	1000lm	Ra83	AC120-277V	50/60Hz	≥0.9	340°	200°	17W/24T8

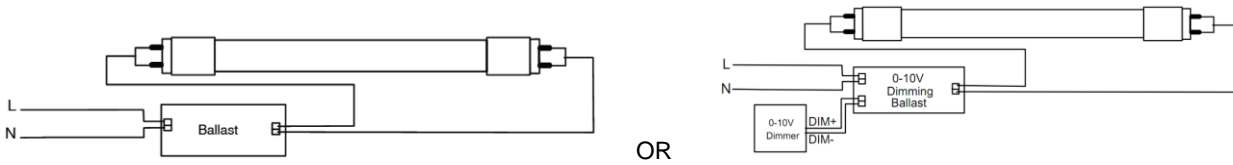
MODEL NO. BREAKDOWN

PV-aFT-xxWAB3y-**K

PV	-	aFT	-	xxW	AB3	y	-	**K
PVTECH	-	a foot size	-	Rated power	Type A+B Generation 3	Can be one letter, represent the Specification of LEDs	-	CCT **K=**00K CCT Can be any two number

WIRING DIAGRAM:

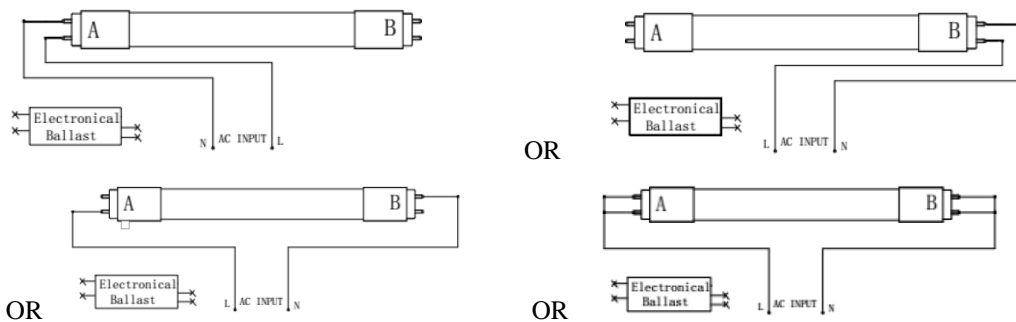
TYPE A(Ballast compatible) - Assembly introduction:



Input Voltage: Base on the ballast

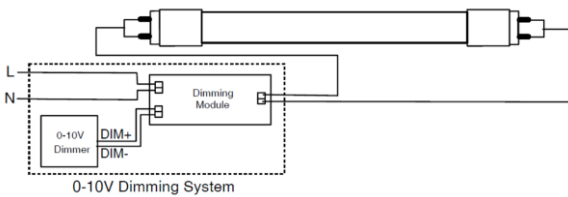
TYPE B(AC directly, double end OR single end ballast bypass) - Assembly introduction:

Case 1: Direct AC wiring diagram without dimming



Voltage Input: AC120-277V 50/60Hz

Case 2: Direct AC wiring diagram with 0-10V dimming system



Voltage Input: AC120-277V 50/60Hz