

T8 LED Tube (TypeA+B)

Plug & Play direct

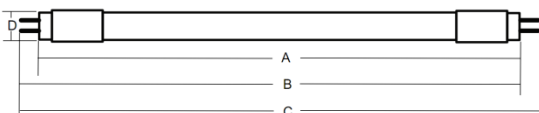
For: Replacement of T8 4FT fluorescent lamp.

3 in 1



FEATURES AND BENEFITS

- 3 in 1 : Type A+B T8 combines double ended power input and single ended power input, it is ballast compatible.
- Current leakage protection, passed UL1993 new standard (Review ID# 1993-2018-006)
- Safety : Constant power driver output when work with ballast bypass, double ended ballast bypass.
- Easy for stock, can save 50% stock space
- Reduces energy consumption up to 60%.
- Shatterproof design: meets NSF requirements
Automatic production, high product consistency



PRODUCT SPECIFICATIONS

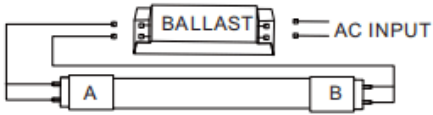
Body	Glass Coating
End cap	G13
Lens	Frosted
Input Voltage	120-277vac,50/60hz
Power Factor	>0.9
Available colors	3000K/3500K/4000K/4100K/4500K/5000K
CRI	>83
Dimming	Non-dimmable
Lifetime	50,000 Hours
Warranty	5 Year
Environmental Requirements	Operation temp:-20°-45°C Storage temp:-20°to3°C Relative Humidity:45%-85% Non-corrosive environments
Size	A:1198.0 mm B:1205.0 mm C:1213.0 mm D:26 mm

SPECIFICATION

Item No.	Power	CCT	Lumen	CRI	Voltage	Frequency	PF	Beam angle	Target lamp
PV-4FT-18WAB3M-(5000K)	18W	5000K	2300lm	Ra83	AC120-277V	50/60Hz	0.9	320°	32W/48T8

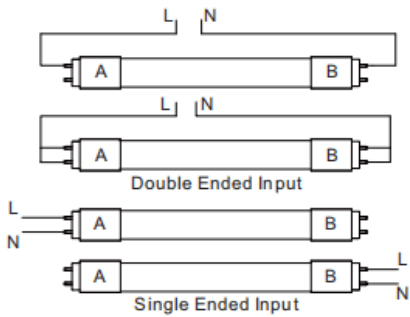
WIRING DIAGRAM:

TYPE A(Ballast compatible) - Assembly introduction:



Ballast Compatible

TYPE B(AC directly, double end OR single end ballast bypass) - Assembly introduction:



Input voltage: 120-277Vac 50/60Hz