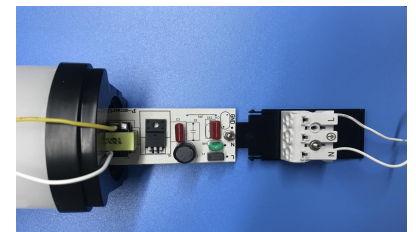
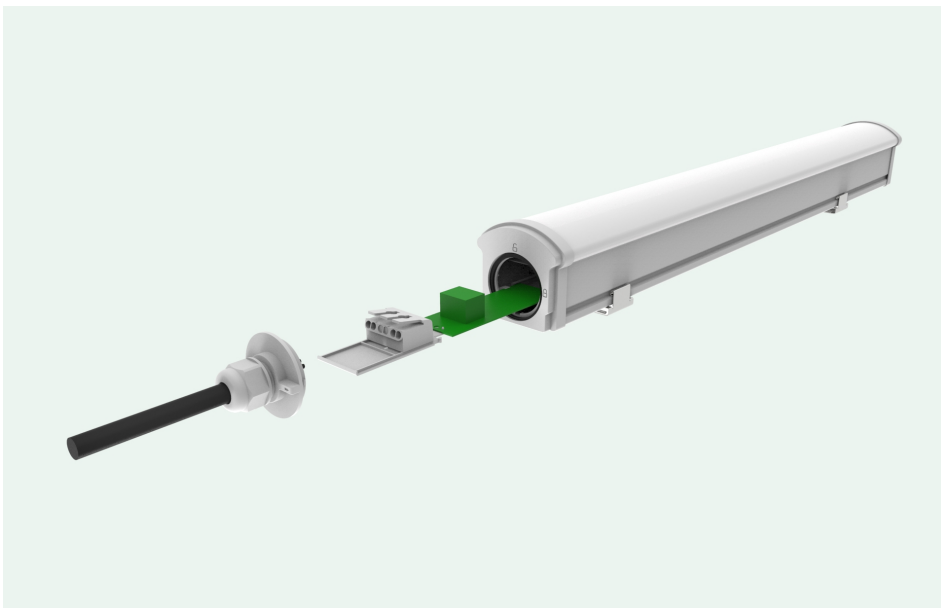




## Features

- Built-in driver. High efficacy: 130-150lm/W.
  - AC120-277V; PF0.95;
  - No flickering.
  - ETL Certification
  - Lifespan: 50000hrs
  - Warranty: 5 years
  
  - IP66, IK10
  - Frosted PC cover, which offers the best experience for general area lighting.
  - Beam angle: 120°
  - Tool-less connection
  - Ceiling or suspended mounted
- For general lighting applications in interior and exterior  
Protection against impacts, such as sports facilities, industrial areas, parking spaces, etc.

## Driver



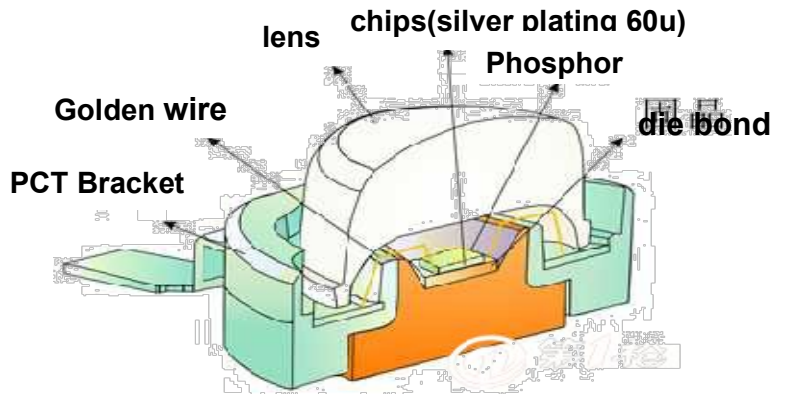
- Higher efficiency, good led chips. lower lumen depreciation, longer lifespan.
- Highly safe, withstands 3500V and has proof of short-circuit/over-heat/over-voltage.

**Brand LED chips**

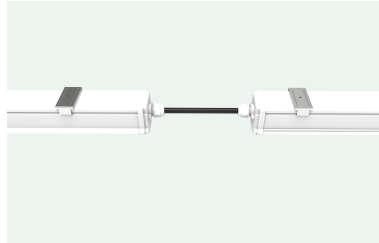
Special customized as per Nichia process.

-Sedimentation process  
anti vulcanization no color migration.

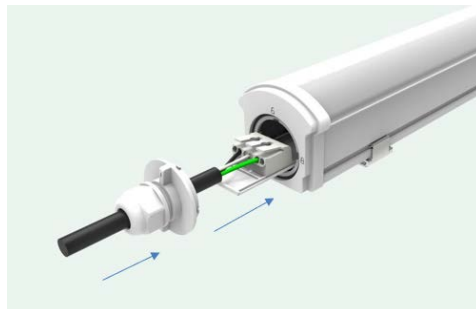
- Thermal Shock Test for chips -40°C~+125°C 300cycles



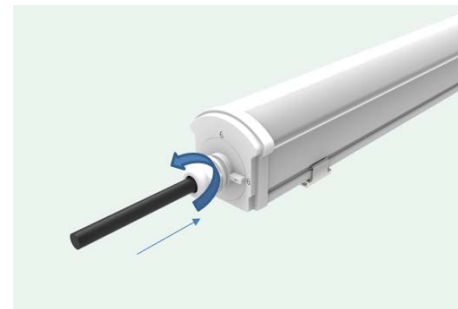
**Fast Connection, tool-less**



1. Twist out.



2. Insert new/old wires



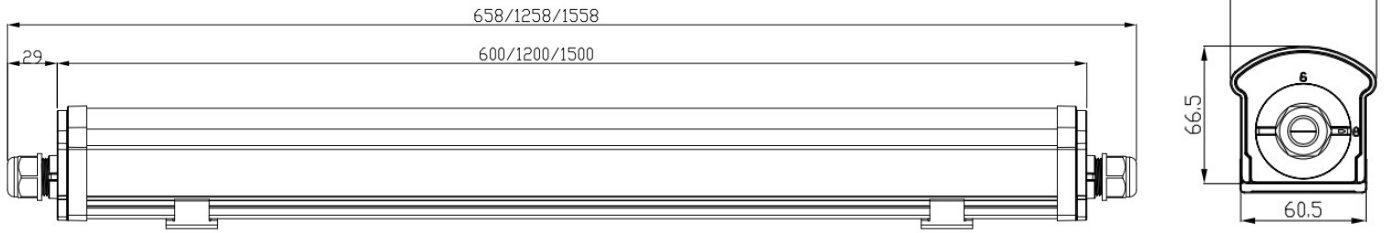
3. Twist back, connected.

**Specification**

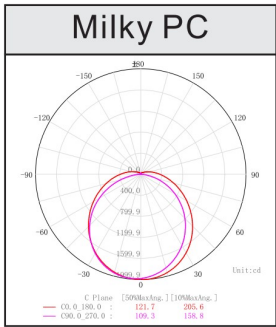
**Smart Vapor Tight Light**

Item No	W	CCT	lm	Lm/W	CRI	PF	Input	Cover	Beam angle	Operating Temp.	Max Input	Max Connection No.
PVSV-2FT-20W-50K	20W	5000K	2500	125	Ra83	0.9	AC120-277V	Frosted	120°	-20°C~+40°C	0.185A	20 PCS
PVSV-4FT-40W-50K	40W	5000K	5000	125	Ra83	0.9	AC120-277V	Frosted	120°	-20°C~+40°C	0.3A	10 PCS
PVSV-8FT-60W-50K	60W	5000K	7500	125	Ra83	0.9	AC120-277V	Frosted	120°	-20°C~+40°C	0.555A	6 PCS

**Dimension 2FT/4FT/8FT are available**

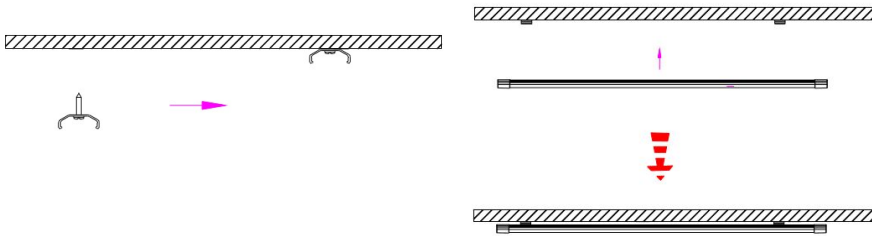


**Photometry**



**Installation methods**

**(1) Ceiling Mounted**



**(2) Suspended**

