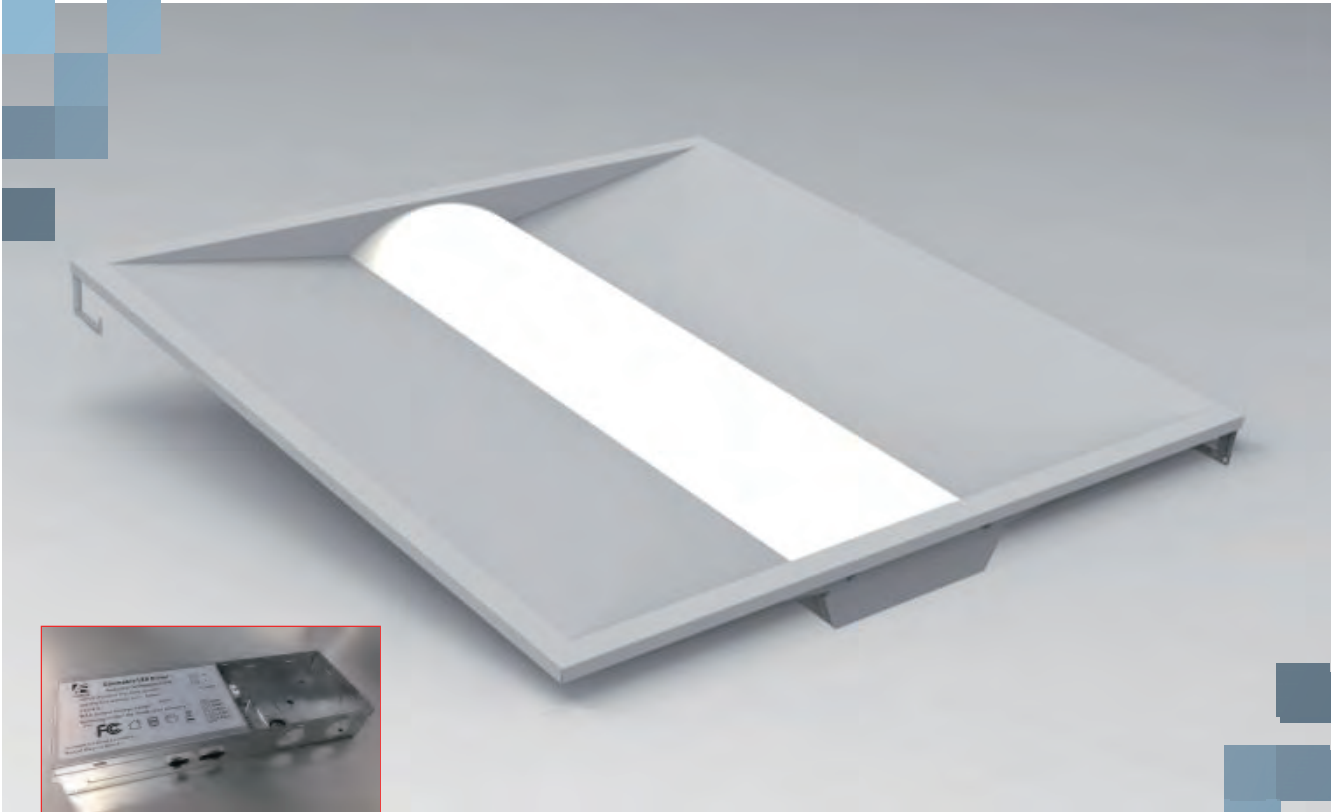
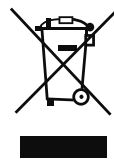




# LED TROFFER



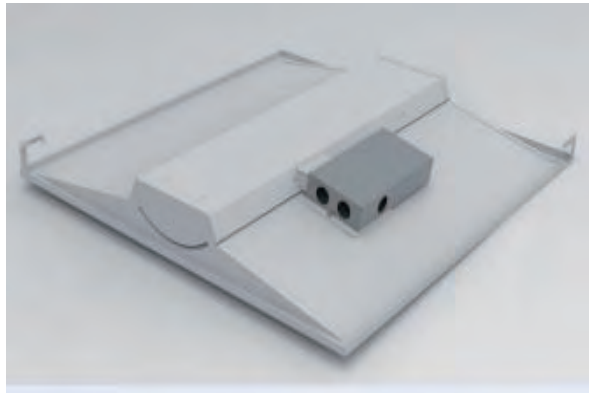
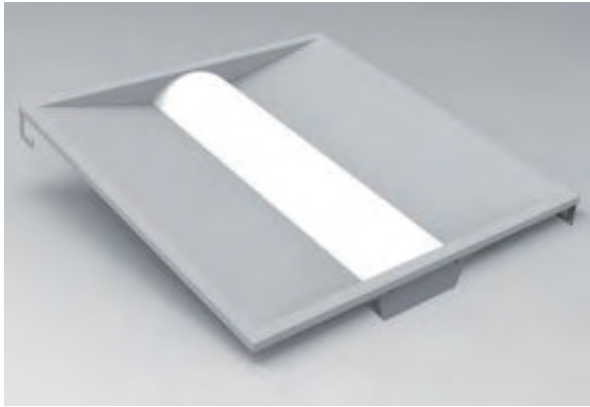
- Power/CCT switch version





**Product Features** ■ ■ ■

1. Smooth and comfortable light, low glare.
2. High lighting efficiency 125lm/W.
3. High quality isolated driver; High efficiency >87%, PF >0.9 .
4. 0-10V dimming.
5. Mainly used in commercial lighting places, such as office, factory and supermarket.
6. CCT: 3500K, 4000K, 5000K.
7. Watt: 2x2&1x4: 30W/35W/40W; 2x4: 30W/40W/50W
8. Lifespan >50,000 hours & 5 years warranty.



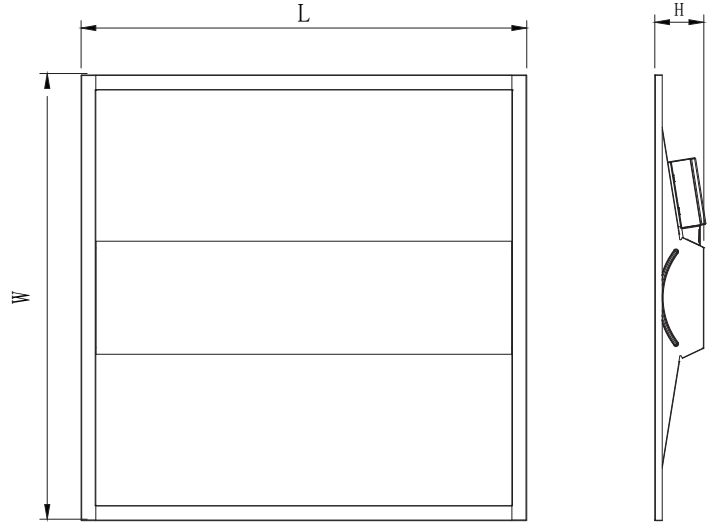
**Specification** ■ ■ ■

Product Model	Power	Working Current	Input Voltage	Luminous Efficacy	CCT	Viewing Angle	Ra	PF	Dimmable	Warranty
TAA22-40W-FP-TCP	30W/35W/40W	0.367A	AC100-277V	125lm/W	3500K 4000K 5000K	120°	≥80	≥0.9	0-10V	5 Years
TAA14-40W-FP-TCP	30W/35W/40W	0.367A								
TAA24-50W-FP-TCP	30W/40W/50W	0.458A								



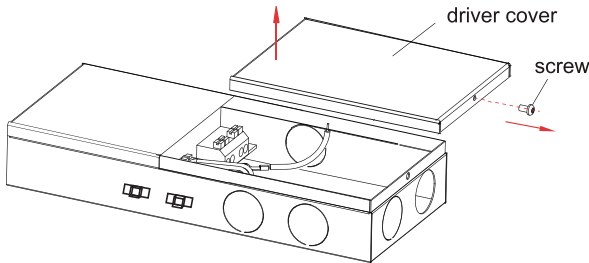
## Product Dimension

Part No.		TAA22	TAA14	TAA24
Dimension (inch)	L	23.74"	47.75"	47.75"
	W	23.74"	11.85"	23.74"
	H	2.61"	2.61"	2.61"

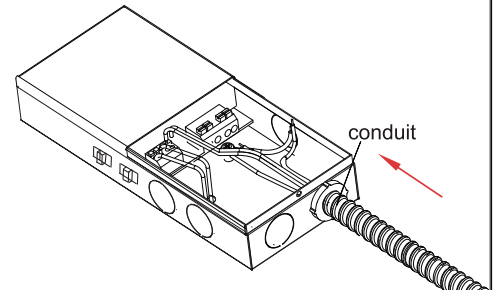


## Installation Instruction

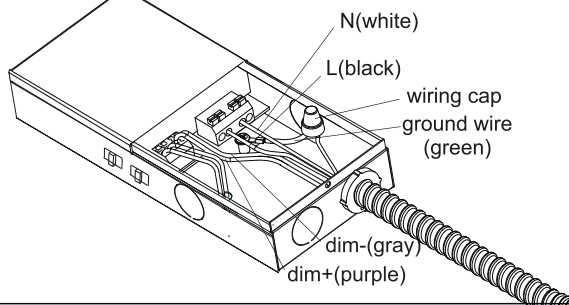
1. Unscrew the driver cover.



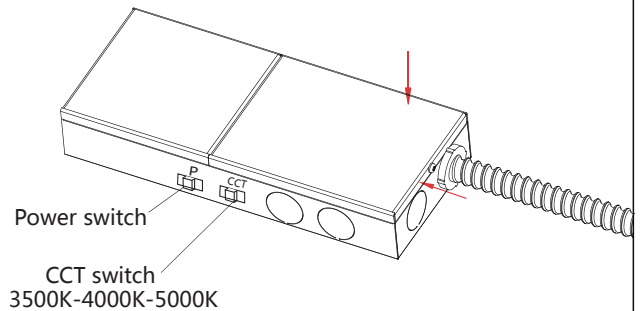
2. Connect the conduit to the driver box.



3. Connect other wires separately.

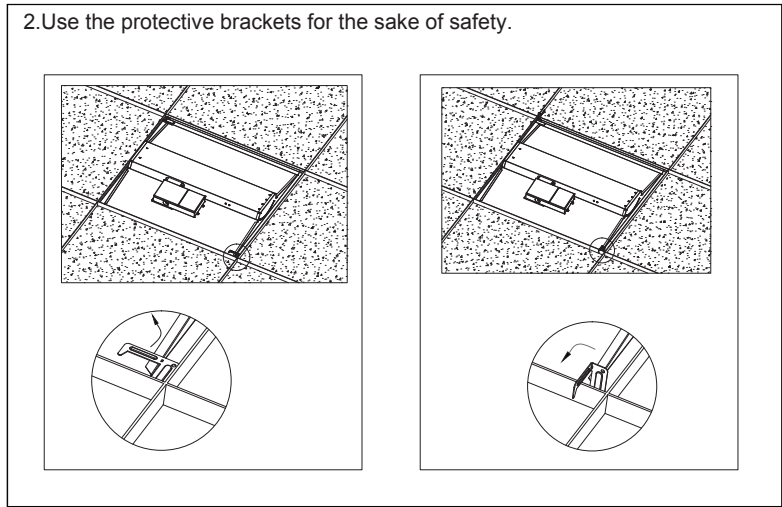
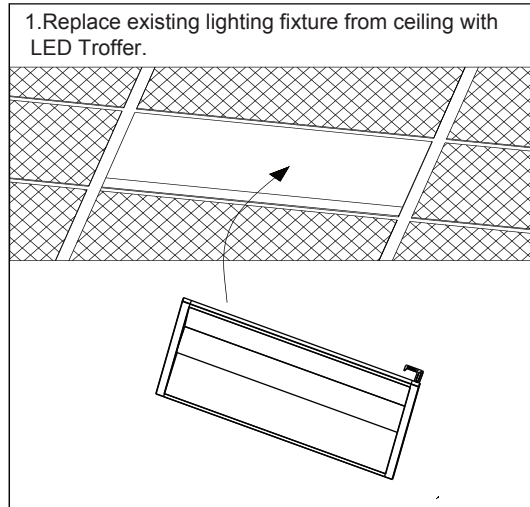


4. Put back the driver cover and fix it by screw.  
Select adjustable power and color temperature.





## Recessed Installation



## Packing/Weight

Part NO.	Outer Carton Size (L*W*H)	Qty/Carton (pcs)	Net weight (lbs)	Gross weight (lbs)
TAA22-40W-FP-TCP	25.5"*6.5"*25.9 inch 648*165*658mm	2	11.6	14.1
TAA14-40W-FP-TCP	49.6"*8.58"*13.97 inch 1257*218*355mm	2	13.5	16.9
TAA24-50W-FP-TCP	49.6"*6.5"*25.9 inch 1257*165*658mm	2	22.2	26.3
TAA22-40W-FP-TCP	25.5"*3.7"*25.7 inch 648*95*652mm	1	6	7.5
TAA14-40W-FP-TCP	49.5"*5.3"*13.80 inch 1257*135*350mm	1	7	9
TAA24-50W-FP-TCP	49.5"*3.7"*25.7 inch 1257*95*652mm	1	12	14

\* Above is our standard packaging, if you would like to customize, need to reconfirm.

## Package Diagram





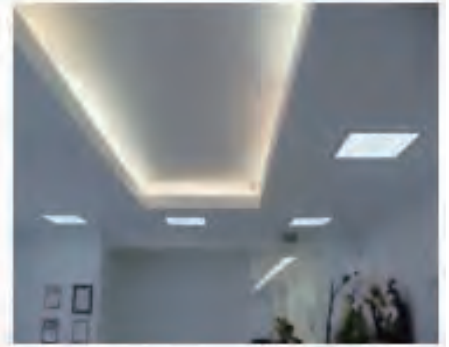
## **Applications**



office



office



home

## **Warning**

- \* Make sure the distances between live part and metal part of LED troffer can satisfy reinforced or double insulation.
- \* The luminaire should only be installed by a qualified electrician.
- \* Before installation and maintenance of the LED troffer, please disconnect the power to prevent electric shock.
- \* Before installation and maintenance, LED troffer must be operated by professional and technical personnel, non-professionals do not to remove the light .
- \* The LED troffer must be installed in an appropriate environment to work. In harsh environments may shorten the life or even damage the light .
- \* For type Y attachments: If the external flexible cable or cord of this luminaire is damaged, it shall be exclusively replaced by the manufacturer or his service agent or a similar qualified person in order to avoid a hazard.

