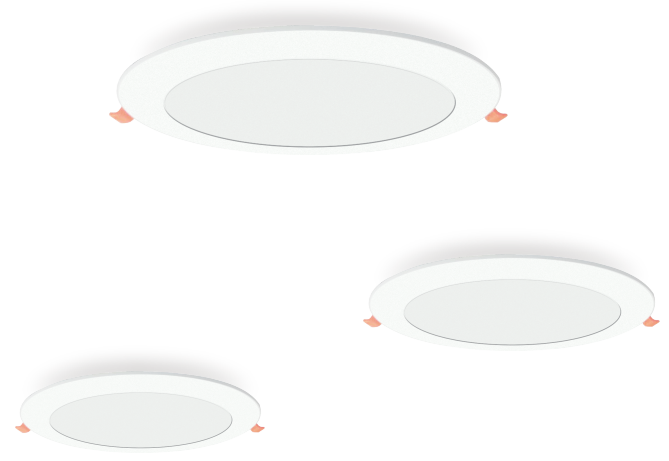


Specification - Slim round panel light series -A1

Are you looking for such kind of a lamp?

- 1. Slim body**
Using the backlight technology from mobile phone technology , greatly reduced the lamp body thickness.
- 2. Highlight and stabilize chip**
The highlighted & long lifetime 2835 chip make the brightness highly improved compare with the old type.
- 3. No dark area, flikers , eye protection**
Side light technology, light effect as jade, no glare, intelligent IC constant current driver, no flikers, eye protection.
- 4. Good heat dissipation, low temperature, long lifetime**
The structure has carried on the elaborate design, not only perfectly connect the radiator and lamp body , the appearance is fashion and beautiful . The heat dissipation also works perfectly at the same time.
- 5. 360° fully sealed, anti-mosquito, dust proof and easy to clean**
IP44 , back screw reinforcement, anti - mosquito & dust, once installation, no any worries.



Applications



Product graphics/dimension/Weight

<p>TYPE:3" /Weight:67.5g</p>	<p>TYPE:4" /Weight:151g</p>
<p>TYPE:6" /Weight:289.5g</p>	<p>TYPE:8" /Weight:464g</p>
<p>TYPE:12" /Weight:833g</p>	

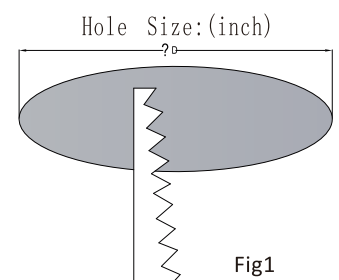
Specification/electrical parameters

Mode	3 "	4"	6 "		8"	12 "
Input voltage	120V AC 60Hz	120V AC 60Hz	120V AC 60Hz		120V AC 60Hz	120V AC 60Hz
Input power	6W	9W	12W	15W	18W	24W
PF	>0.9	>0.9	>0.9		>0.9	>0.9
Dimming	TRIAC	TRIAC	TRIAC		TRIAC	TRIAC
CCT	2700~5000K	2700~5000K	2700~5000K		2700~5000K	2700~5000K
Lumens	420LM	630LM	840LM	1050LM	1260LM	1680LM
CRI	Ra≥ 90	Ra≥ 90	Ra≥ 90		Ra≥ 90	Ra≥ 90
Photosynthetic efficiency	70LM/W	70LM/W	70LM/W		70LM/W	70LM/W
Body material	AL+PC	AL+PC	AL+PC		AL+PC	AL+PC
Body color	White	White	White		White	White
Beam Angle	160°	160°	160°		160°	160°
Lifespan	50,000h	50,000h	50,000h		50,000h	50,000h
IP	IP44	IP44	IP44		IP44	IP44
Working temperature	-13(°F)~122(°F)	-13(°F)~122(°F)	-13(°F)~122(°F)		-13(°F)~122(°F)	-13(°F)~122(°F)
Certification						

Installation instructions

STEP1:

Turn off the power before installation. Remove the existing bulb and if necessary remove the existing trim. open the hole on the mounting surface according to the size of fixture.



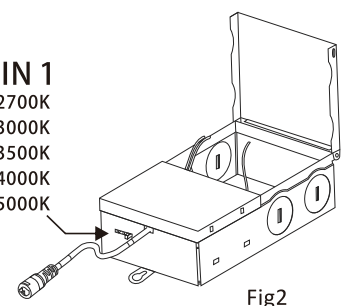
Fixture Size	3"	4"	6"	8"	12"
Hole Size	2 61/64 inches	4 21/64 inches	6 19/64 inches	8 5/64 inches	11 1/32 inches

STEP2:

Open the junction box,connect the power cable,as shown in Fig 2

3 IN 1 5 IN 1

- 3000K
- 4000K
- 5000K
- 2700K
- 3000K
- 3500K
- 4000K
- 5000K



Specification - Slim round panel light series -A1

STEP3:

Connect the fixture with power cable and the junction box, as shown in Fig 3

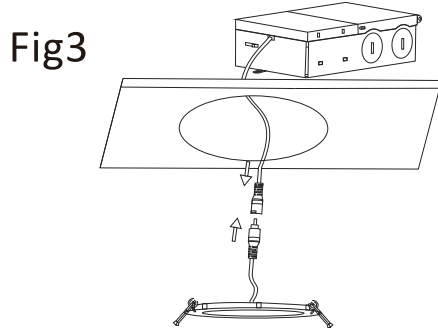


Fig3

STEP4:

Install the fixture to ceiling surface, as shown in Fig4

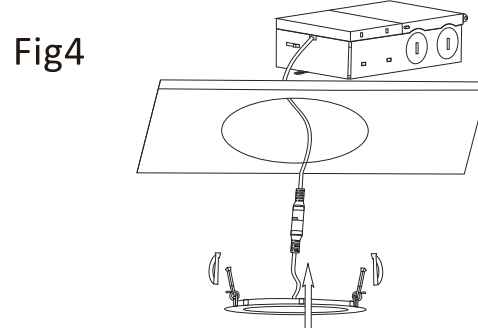


Fig4

STEP5:

Turn on the power after installation, check the fixture can work well, as shown in Fig5.

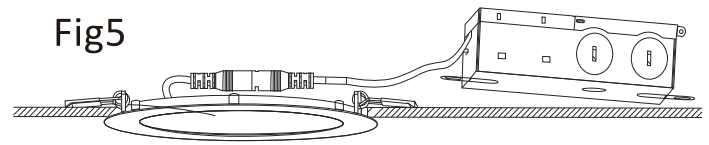


Fig5

Packing

Model	Inner box size	Inner box number	Carton size	Carton Quantity	Gross Weight
3"	6.61*2.95*4.13inch/ 168*75*105mm	1 pcs	18.50*13.97*13.58 inch/ 470*355*345mm	36 pcs	9.8KG/21.60LB
4"	6.41*2.36*6.49 inch/ 163*60*165mm	1 pcs	14.96*13.58*13.97 inch/ 380*345*355mm	24 pcs	7.8KG/17.19LB
6"	7.40*2.36*7.48 inch/ 188*60*190mm	1 pcs	15.74*14.96*15.94 inch/ 400*380*405mm	24 pcs	12KG26.45LB
8"	9.56*2.36*9.64 inch/ 243*60*245mm	1 pcs	20.07*14.96*20.27 inch/ 510*380*515mm	24 pcs	7.2KG/15.87LB
12"	12.40*2.36*12.40 inch/ 315*60*315mm	1 pcs	25.59*14.96*13.38 inch/ 650*380*340mm	12 pcs	