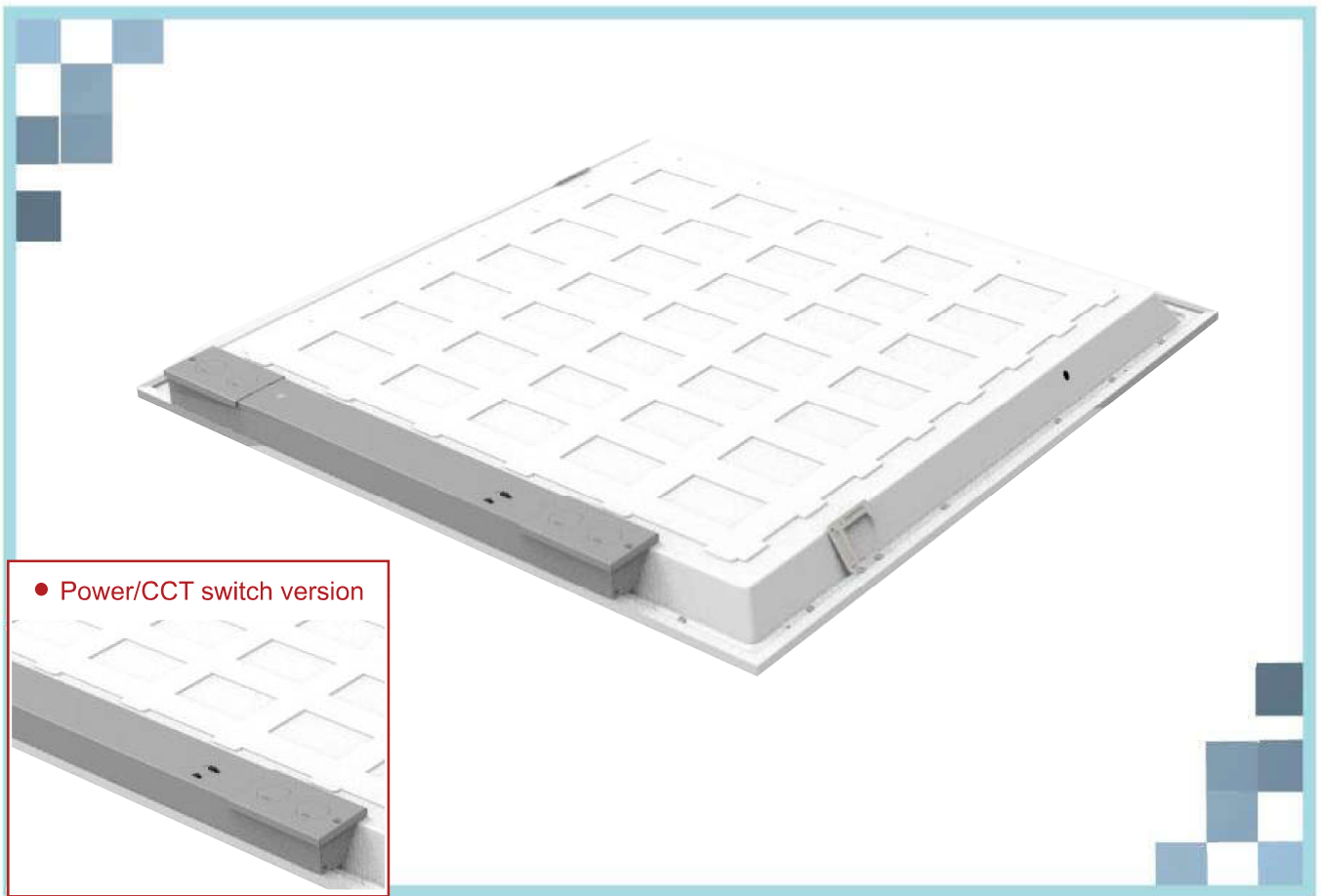


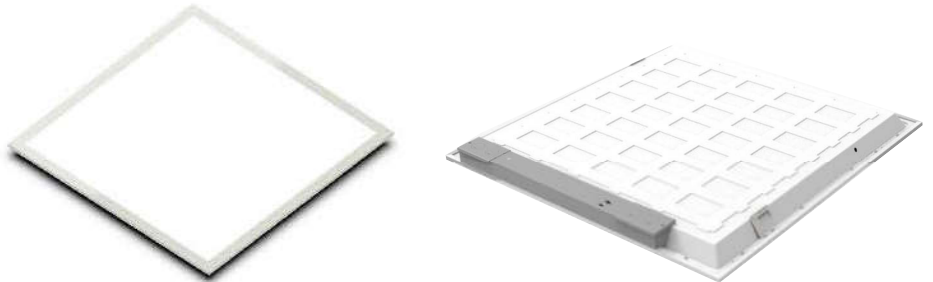
LED Back-lit Panel Light





Product Features

- 1.The panel light is mainly used in commercial lighting places, such as office, factory, supermarket and so on.
- 2.The panel light has uniform and soft luminance, high luminous efficacy, saving energy and protecting environment.
- 3.Using principle of back-lit, the panel light is extremely beautiful.
- 4.Using high quality material, with great heat dissipation and low light degradation.
- 5.Using high quality driver, efficiency>86%, PF>0.9.
- 6.Lifespan>50,000 hours.
- 7.0-10V dimming function dimming driver.
- 8.Dustproof: Zero distance between back cover and the frame protect against dust perfectly.
- 9.No yellowing problem of Light Guided Plate for this panel light.
- 10.Connect the AC wire and DC wire of the driver input separately.
- 11.CCT Adjustable range: 3500K-4000K-5000K.
- 12.Power Adjustable range;



Specification

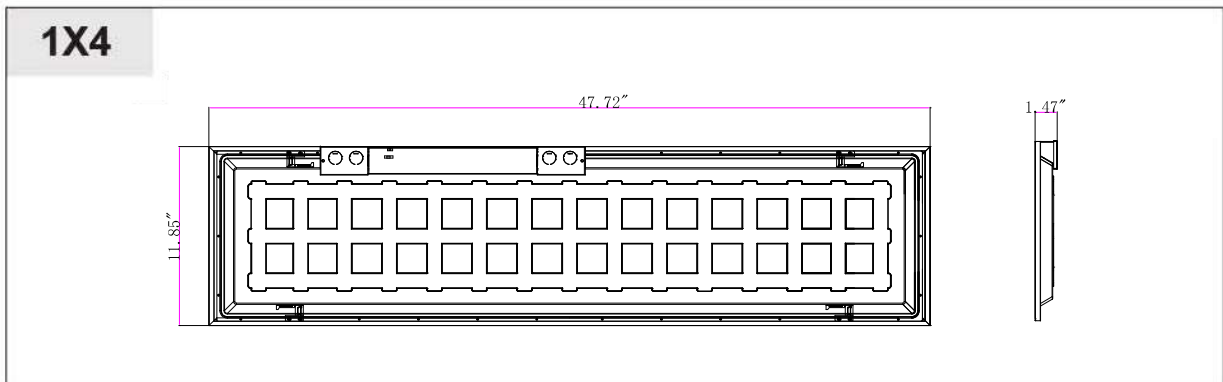
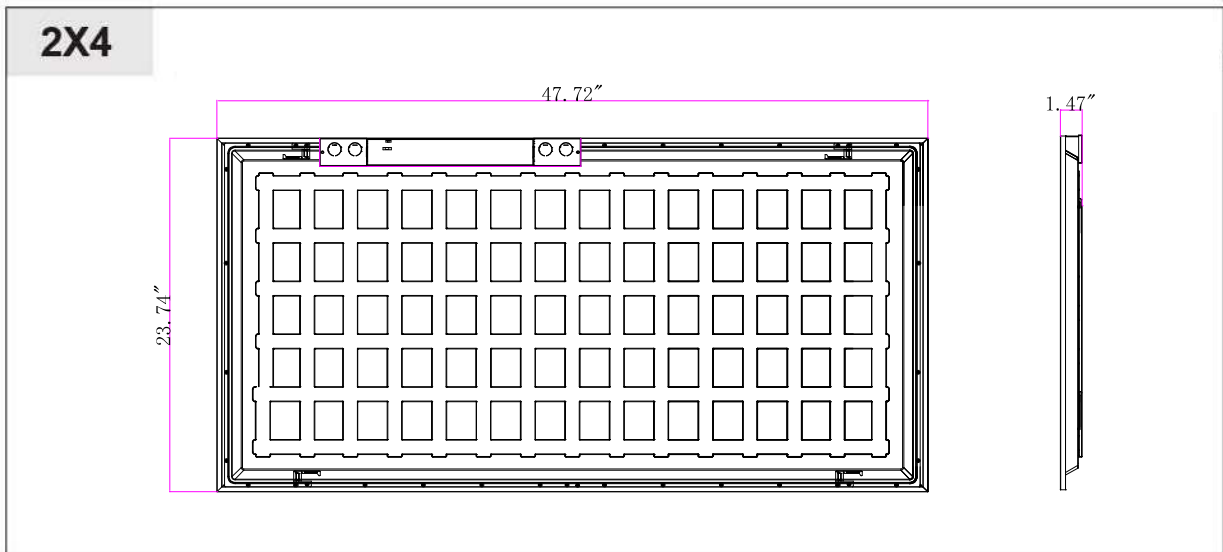
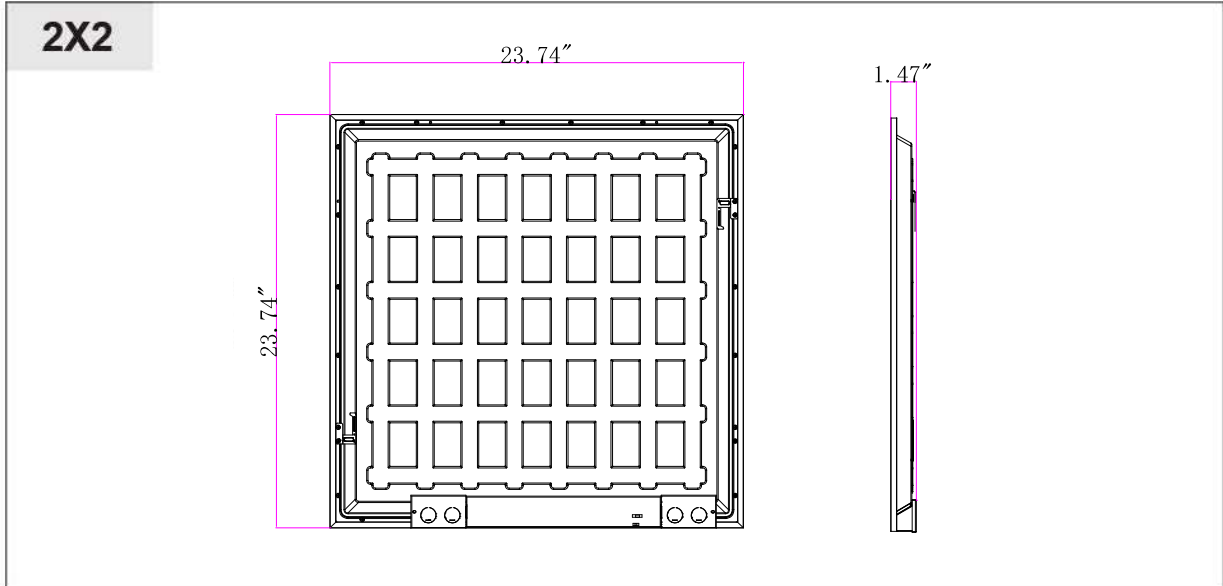
Product Model	Power	Working Current	Input Voltage	Luminous Efficacy	CCT	Viewing Angle	Ra	PF	Dimmable	Warranty
BPL603*603-xxW-S-TCP	30W/35W/40W	0.44A	AC100-277V	105lm/W	3500K 4000K 5000K	120°	≥80	≥0.9	0-10V	5 years
BPL1212*301-xxW-S-TCP	30W/35W/40W	0.44A								
BPL1212*603-xxW-S-TCP	30W/35W/40W	0.44A								
BPL1212*603-xxW-S-TCP	30W/40W/50W	0.55A								
BPL603*603-xxW-P-TCP	30W/35W/40W	0.44A	AC100-277V	125lm/W	3500K 4000K 5000K	120°	≥80	≥0.9	0-10V	5 years
BPL1212*301-xxW-P-TCP	30W/35W/40W	0.44A								
BPL1212*603-xxW-P-TCP	30W/35W/40W	0.44A								
BPL1212*603-xxW-P-TCP	30W/40W/50W	0.55A								

Note: Above is the normal parameters, the following functions can be achieved according to customers requests.

- 1.UGR<19
- 2.Emergency panel light: emergency power is 4-20W, emergency time is 1.5-2h, for all the above specifications.



Product Dimension 





Installation Instruction

1. Unscrew the driver cover.

2. Connect the conduit to the driver box.

3. Connect other wires separately.

N(white)
L(black)
ground wire (green)
DIM-(gray)
DIM+(purple)

4. Put back the driver cover and fix it by screw.

* Optional accessories
If there are more wires, you can choose to use enlarged junction box.

Recessed Installation

1. Replace existing lighting fixture from ceiling with LED Panel.

2. Use the protective brackets for the sake of safety.

Alternative 1:
Alternative 2:

protective bracket
steel rope (for fixing onto roof)
Put thin steel rope through hole of the bracket and fix it onto the brackets.



Packing/Weight

Part NO.	Outer Carton Size (L*W*H)	Qty/Carton (pcs)	Net weight (lbs)	Gross weight (lbs)
BPL603*603	25.4''*9.37''*25.79'' 635*200*640mm	4	19.4	22.3
BPL1212*301	49.49''*9.37''*13.98'' 1245*200*340mm	4	19.9	23.6
BPL1212*603	49.49''*9.37''*25.79'' 1245*200*640mm	4	36.1	41.3

Package Diagram



Applications





Warning

- * Make sure the distances between live part and metal part of LED panel can satisfy reinforced or double insulation.
- * The luminaire should only be installed by a qualified electrician.
- * Before installation and maintenance of the LED panel, please disconnect the power to prevent electric shock.
- * Before installation and maintenance, LED panel must be operated by professional and technical personnel, non-professionals do not to remove the light .
- * The LED panel must be installed in an appropriate environment to work. In harsh environments may shorten the life or even damage the light .
- * For type Y attachments: If the external flexible cable or cord of this luminaire is damaged, it shall be exclusively replaced by the manufacturer or his service agent or a similar qualified person in order to avoid a hazard.

