



# UFO HIGH BAY LIGHT

## 11G



**TORSHARE**<sup>®</sup>

## Introduction:

LED UFO High Bay Light is a fixture that are consist of die-cast aluminum alloy heat-sink, PC optical lens, LED light source and diver. It can be a perfect replacement of HID and other traditional light fixture, provided with much higher efficacy, a longer lifetime 50,000H at least but much lower failure rate,higher reliability and better cost than before. Perfect solution for your showroom,warehouse,retails,factory,exhibition hall,gymnasium etc.

## Product Features

- ⦿ Input voltage:100-277VAC,120-347VAC,277-480VAC
- ⦿ PF>90% and THD<20% at full load
- ⦿ Free of flickering
- ⦿ CCT: 3500K~6500K
- ⦿ CRI:80,and R9≥0
- ⦿ Efficacy:140lm/W
- ⦿ 0-10V Dimming
- ⦿ Bluetooth Motion sensor,PIR sensor for optional
- ⦿ PC lens with beam angle 85 degree& 110 degree
- ⦿ UGR<28
- ⦿ Standard with hook accessory,Steel ring& U-bracket for optional
- ⦿ Finishing: black, white, gray,brown and customization
- ⦿ IK10, IP65,suitable for wet location
- ⦿ Working temperature:-40°F~113°F
- ⦿ 5 years warranty

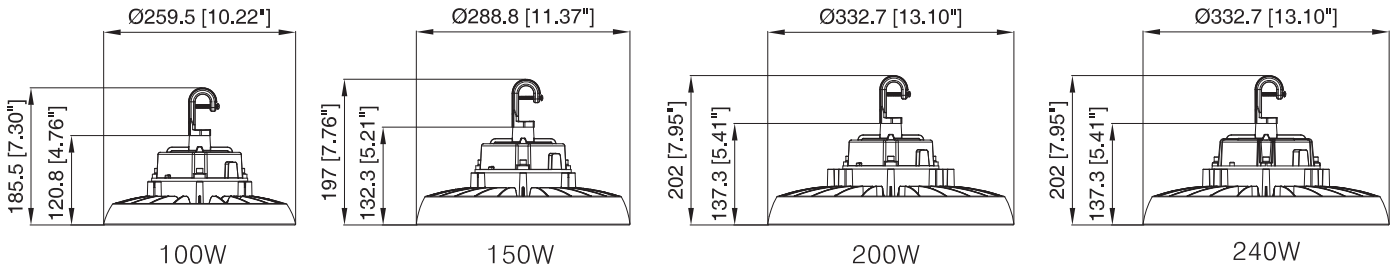
## Technical Parameters

Model Number	Wattage	Working Voltage	CCT	LED Lamp	Beam Angle	Lighting Efficiency	Color Rendering Index	Operating Temperature	Storage Temperature	Environment Location	Life span	Lamp shell
UHB1110-100W-110-X-XXK(XX) UHB1110-100W-85-X-XXK(XX)	100W	AC 100-277V AC 100-347V AC 277-480V	3500K 4000K 5000K 5700K 6500K	2835	110° & 85°	140lm/W & 150lm/W	Ra>80	-40°F~113°F -40°C~45°C	-40°F~158°F -40°C~70°C	Wet Location	≥50000H	Black & White
UHB1115-150W-110-X-XXK(XX) UHB1115-150W-85-X-XXK(XX)	150W											
UHB1120-200W-110-X-XXK(XX) UHB1120-200W-85-X-XXK(XX)	200W											
UHB1124-240W-110-X-XXK(XX) UHB1124-240W-85-X-XXK(XX)	240W											

## Ordering Information

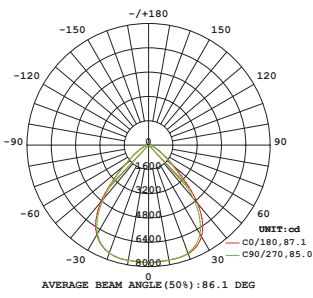
ORDERING GUIDE						DLC Model# UHB1115-150W-85-H-50K[Blank;(MS);(PIR);(BT)]					
Fixture Type	Wattage		Beam Angle		LM/W	CCT		Sensor (Option)			
<input type="text"/>	<input type="text"/>		<input type="text"/>		<input type="text"/>	<input type="text"/>		<input type="text"/>			
UHB1110	100	100W	85	85°	H 140LM/W	XXK		[Blank;(MS);(PIR);(BT)]			
UHB1115	150	150W			H1 150LM/W	40K 4000K		Blank Not sensor			
UHB1120	200	200W				50K 5000K		MS Microwave sensor			
UHB1124	240	240W						PIR Passive infrared sensor			
								BT Bluetooth microwave sensor			

**Dimension:mm(in)**

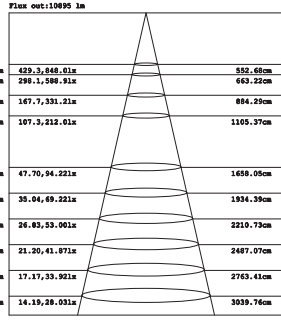


**Photometry**

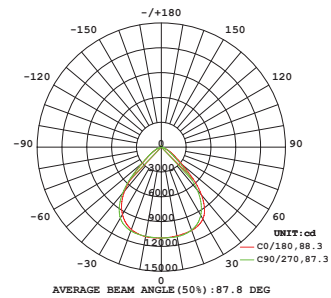
LUMINOUS INTENSITY DISTRIBUTION DIAGRAM



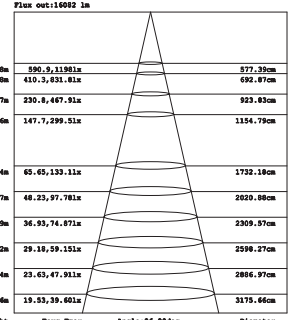
Illumination Distribution Drawing



LUMINOUS INTENSITY DISTRIBUTION DIAGRAM



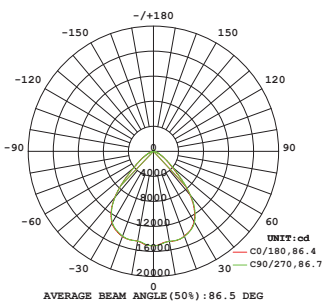
Illumination Distribution Drawing



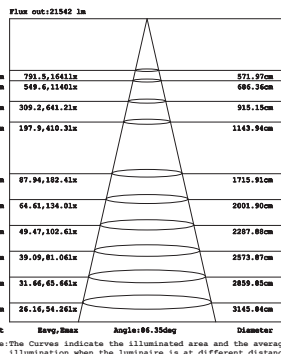
Note: Light distribution curve drawing for 100W-85°

Note: Light distribution curve drawing for 150W-85°

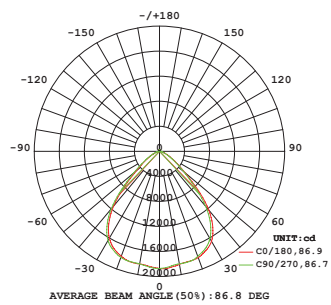
LUMINOUS INTENSITY DISTRIBUTION DIAGRAM



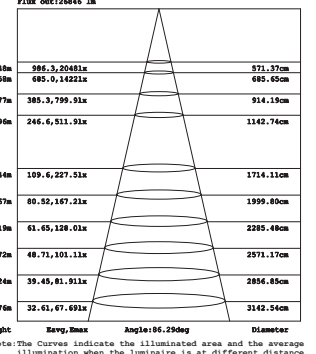
Illumination Distribution Drawing



LUMINOUS INTENSITY DISTRIBUTION DIAGRAM



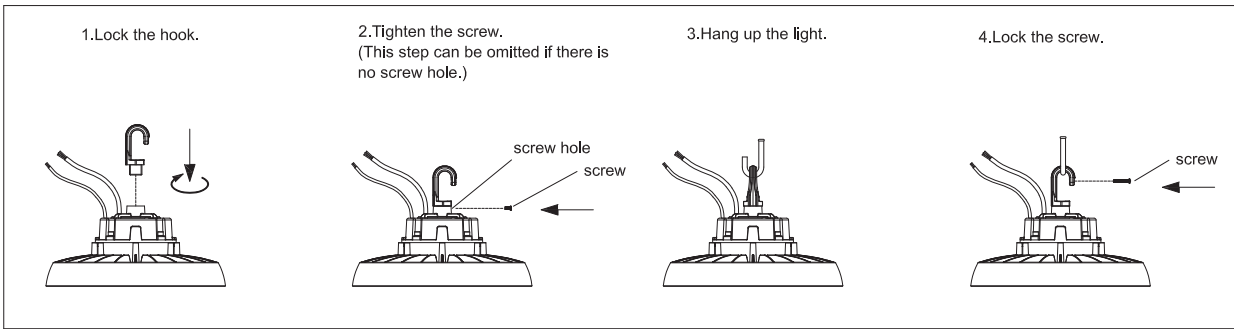
Illumination Distribution Drawing



Note: Light distribution curve drawing for 200W-85°

Note: Light distribution curve drawing for 240W-85°

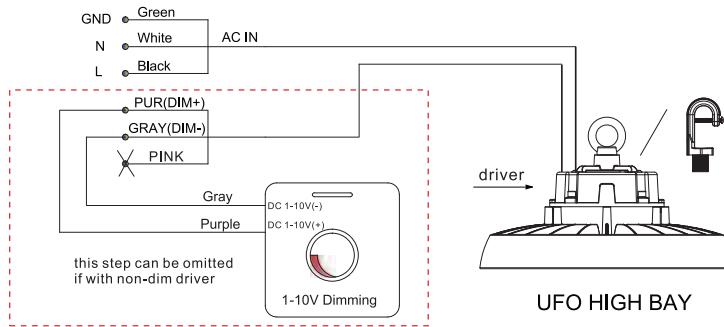
## The installation diagram:



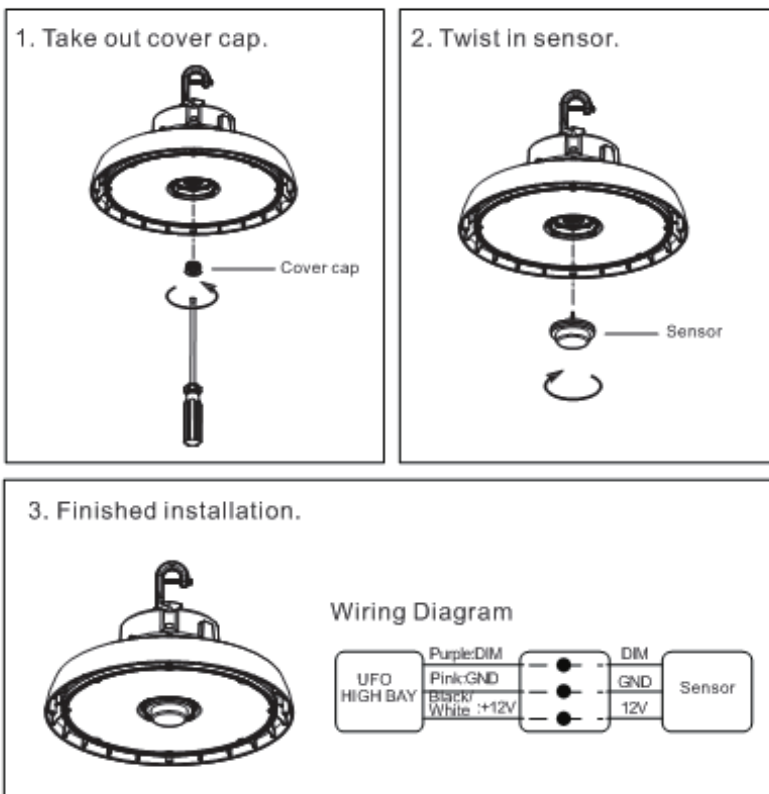
## Wiring Connection

Turn off the power,connect AC wire.black wire to L,white wire to N,and green wire to E.  
Dimmer connection(with dimmable driver.)

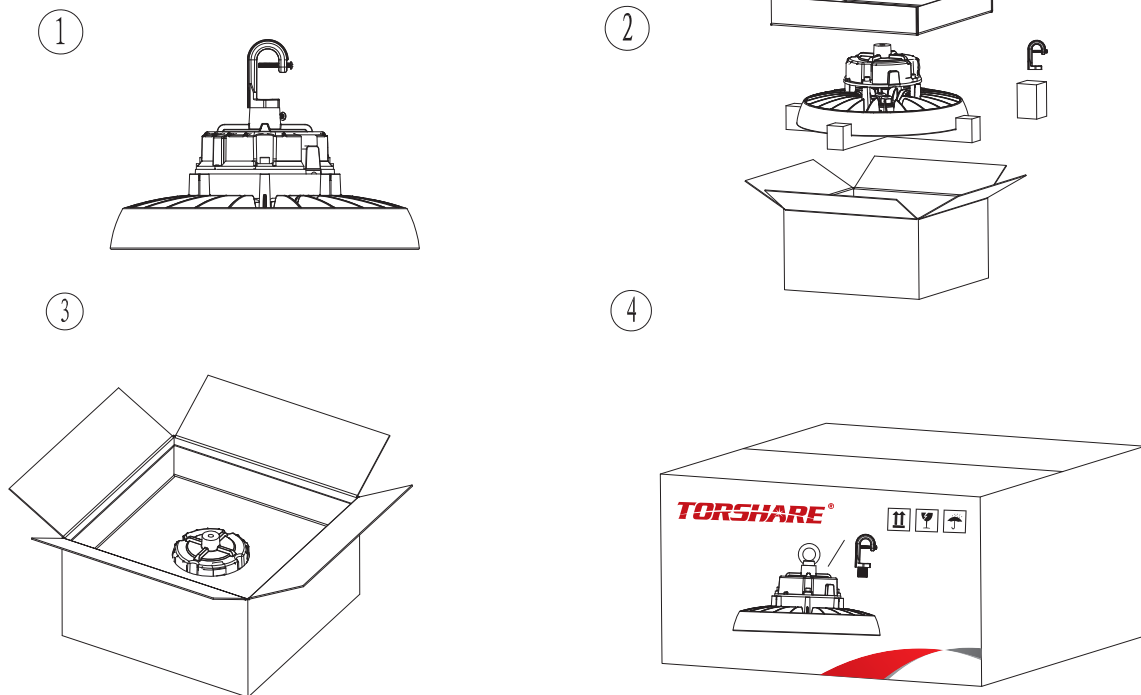
1. Compatible with 1-10V dimming.
2. Connect wires as below,purple wire is D+,gray wire is D-,cap pink wire.



## Twist in sensor installation manual



**Packing:**



**Parameters:**

Model	N.W(kg)	G.W(kg)	QTY/CTN	Carton Dimension
UHB1110-100W-85-H-50K	1.8	2.8	1PC	305*305*170 mm
UHB1115-150W-85-H-50K	2.4	3.1	1PC	338*338*180 mm
UHB1120-200W-85-H-50K	3.15	4.05	1PC	392*392*197 mm
UHB1124-240W-85-H-50K	3.45	4.35	1PC	392*392*197 mm

**Container volume calculation**

Container QTY	20GP(QTY)	40GP(QTY)	40HC(QTY)
100W	1750	3650	4150
150W	1360	2800	3200
200W	920	1900	2180
240W	920	1900	2180

