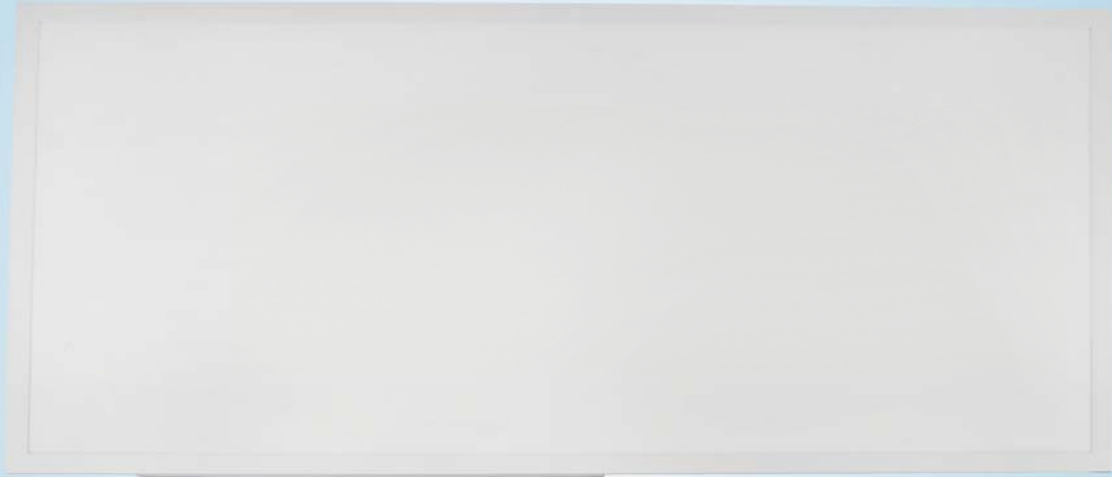
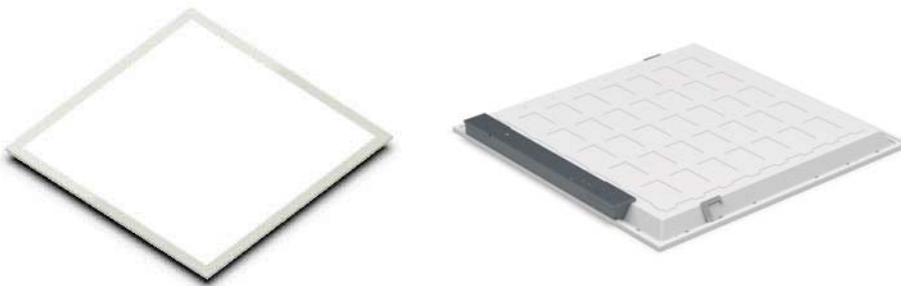


# LED Back-lit Panel Light



## Product Features

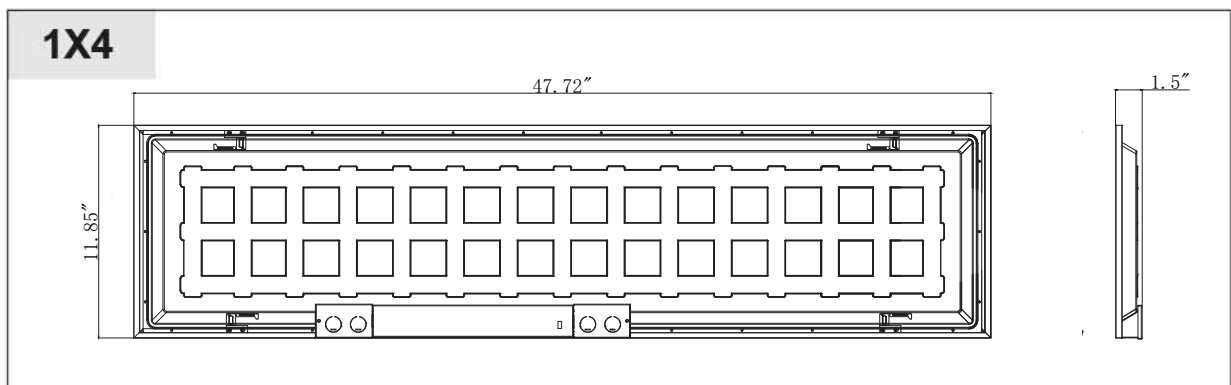
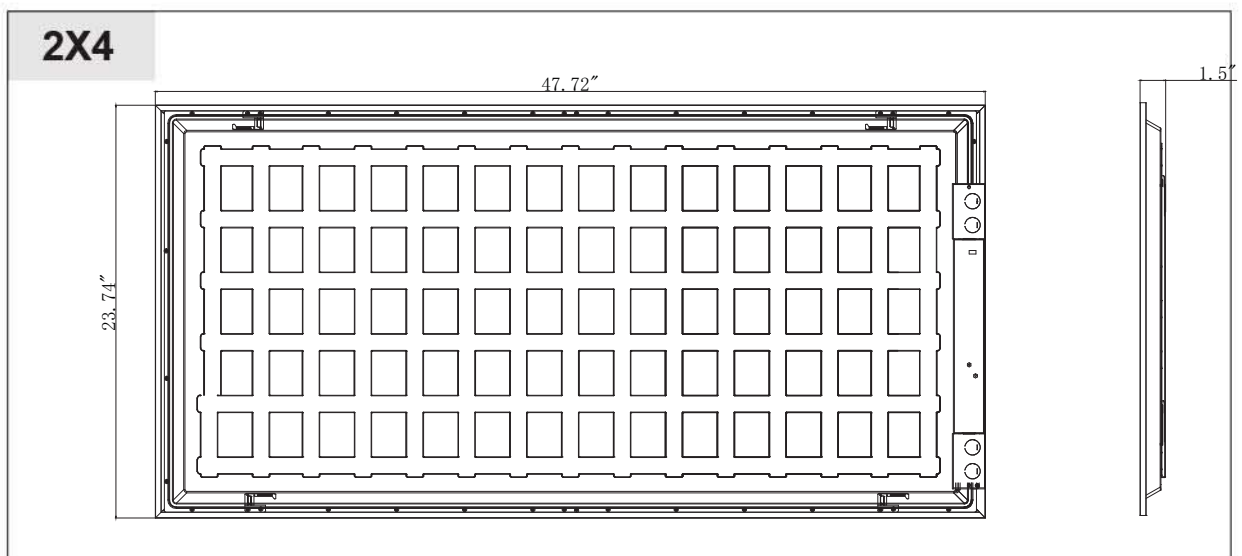
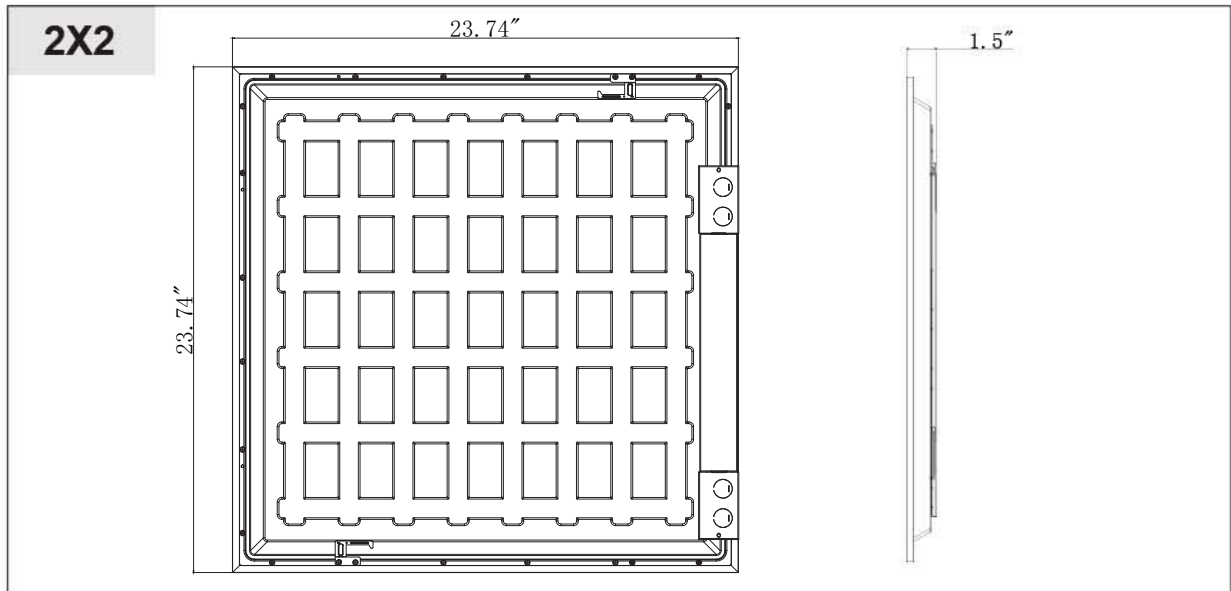
- 1.The panel light is mainly used in commercial lighting places, such as office, factory, supermarket and so on.
- 2.The panel light has uniform and soft luminance, high luminous efficacy, saving energy and protecting environment.
- 3.Using principle of back-lit, the panel light is extremely beautiful.
- 4.Using high quality material, with great heat dissipation and low light degradation.
- 5.Using high quality driver, efficiency>86%, PF>0.9.
- 6.Lifespan>50,000 hours.
- 7.0-10V dimming function dimming driver.
- 8.Dustproof: Zero distance between back cover and the frame protect against dust perfectly.
- 9.No yellowing problem of Light Guided Plate for this panel light.



## Specification

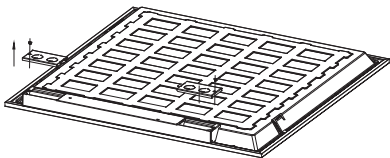
Product Model	Power	Working Current	Input Voltage	Luminous Efficacy	CCT	Viewing Angle	Ra	PF	Dimmable	Warranty
BPL603*603-30W-P-XXK	30W	0.33A	AC100-277V	125lm/W	3500K 4000K 5000K	120°	≥80	≥0.9	0-10V	5 years
BPL603*603-40W-P-XXK	40W	0.44A								
BPL1212*301-30W-P-XXK	30W	0.33A								
BPL1212*301-40W-P-XXK	40W	0.44A								
BPL1212*603-40W-P-XXK	40W	0.44A								
BPL1212*603-50W-P-XXK	50W	0.55A								

## Product Dimension

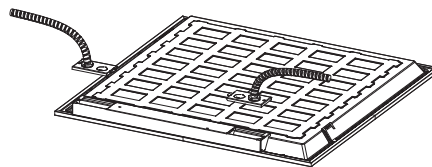


## Installation Instruction

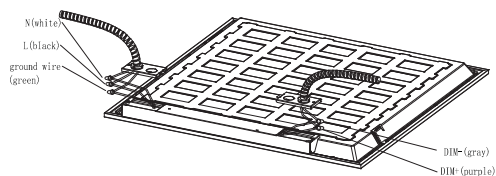
1. Unscrew the driver cover.



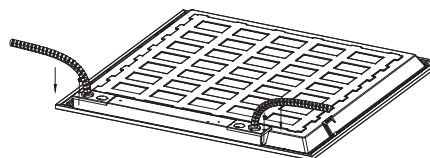
2. Connect the conduit to the driver box.



3. Connect other wires separately.

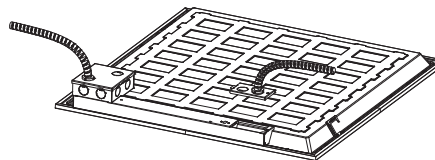
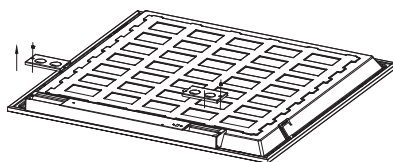
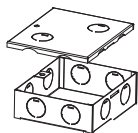


4. Put back the driver cover and fix it by screw.



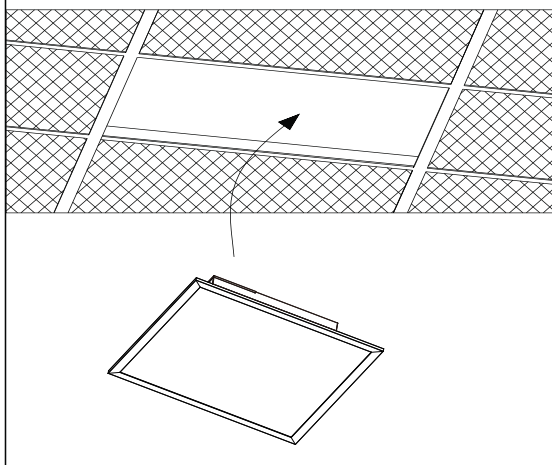
### \* Optional accessories

If there are more wires, you can choose to use enlarged junction box.

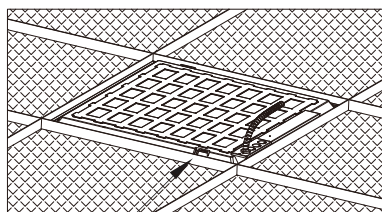


## Recessed Installation

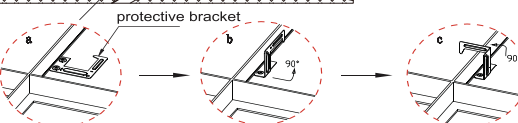
1. Replace existing lighting fixture from ceiling with LED Panel.



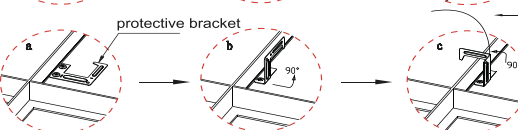
2. Use the protective brackets for the sake of safety.



Alternative 1:



Alternative 2:



steel rope  
(for fixing onto roof)

Put thin steel rope through hole of the bracket and fix it onto the brackets.

## Applications



## Warning

- \* Make sure the distances between live part and metal part of LED panel can satisfy reinforced or double insulation.
- \* The luminaire should only be installed by a qualified electrician.
- \* Before installation and maintenance of the LED panel, please disconnect the power to prevent electric shock.
- \* Before installation and maintenance, LED panel must be operated by professional and technical personnel, non-professionals do not to remove the light .
- \* The LED panel must be installed in an appropriate environment to work. In harsh environments may shorten the life or even damage the light .
- \* For type Y attachments: If the external flexible cable or cord of this luminaire is damaged, it shall be exclusively replaced by the manufacturer or his service agent or a similar qualified person in order to avoid a hazard.