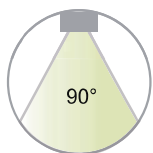


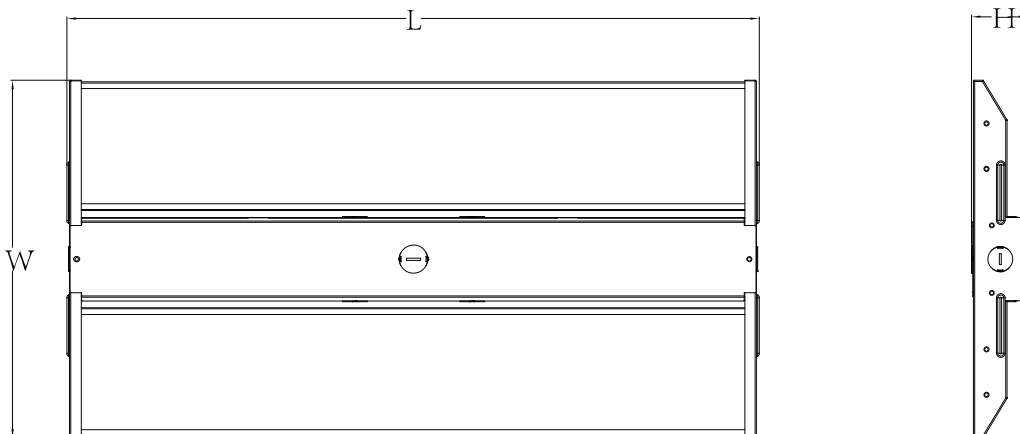
LED Linear High Bay



Product Features

1. ETL & FCC listed; With LM79 & LM80;
2. 2FT: 165Watt.
3. High luminous efficacy 135lm/w;
4. High quality driver; 1-10V dimming; Flicker free;
5. PF > 0.90, driver efficiency > 90%; THD < 20%;
6. Installation: chain Mounting;
7. Suitable for dry/damp location;
8. Designed for warehouses, gymnasiums, and industrial spaces;
9. Five years warranty.

Product Dimension

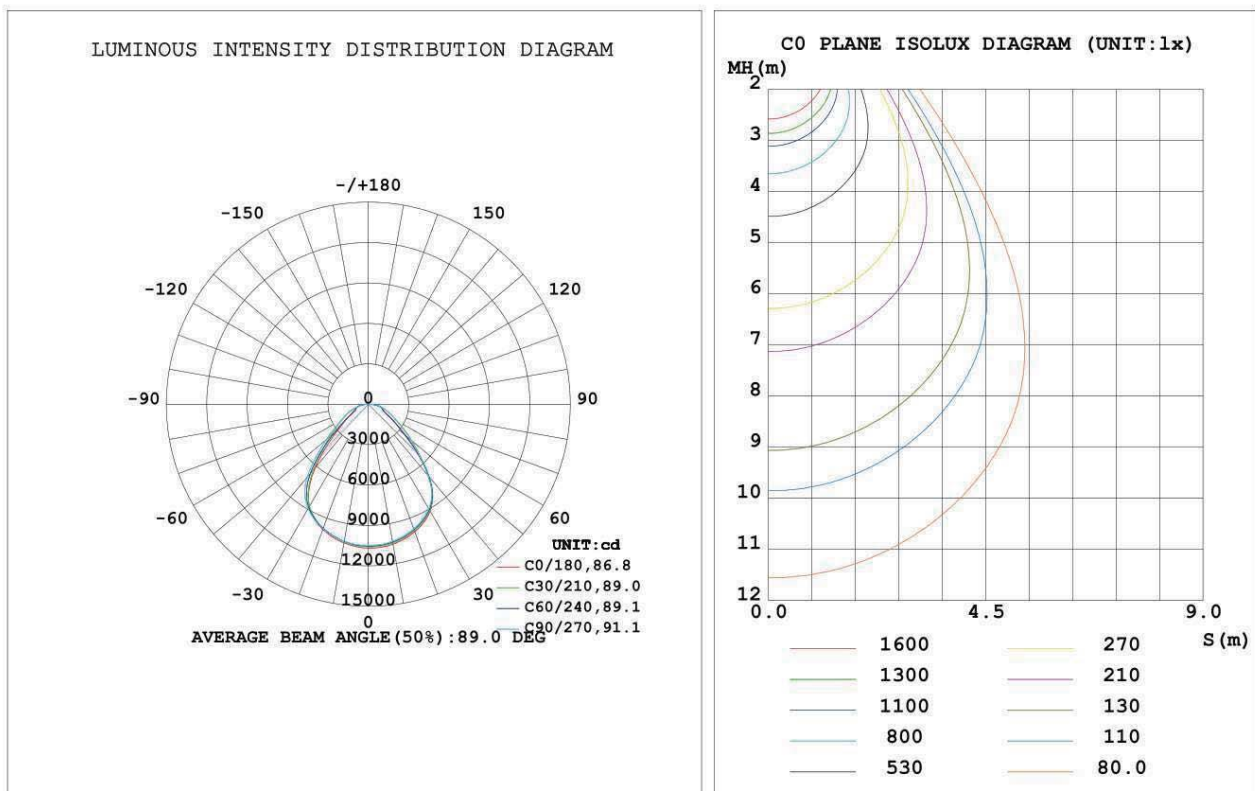


Model	L×W×H
TS-LHB5-2FT165W-H-HV-50K	626*323*51mm/24.65*12.72*2.01"

Specification ■ ■ ■

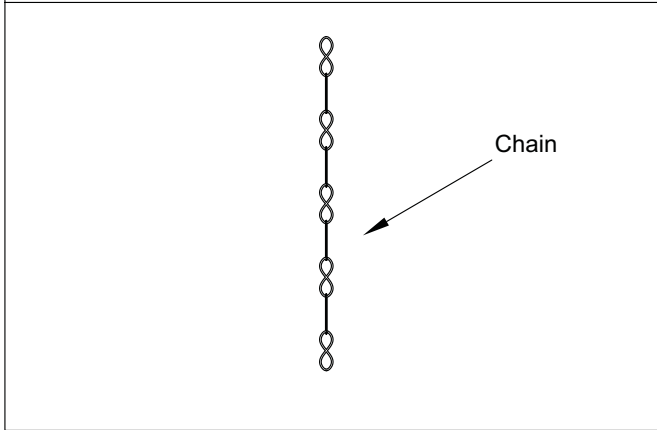
Part No.	Power	Input Voltage	Luminous Efficacy	CCT	Viewing Angle	Ra	PF	Warranty
TS-LHB5-2FT165W-H-HV-50K	165W	AC277-480V	135lm/W	5000K	90°	>80	>0.9	5 Years

Testing Report ■ ■ ■

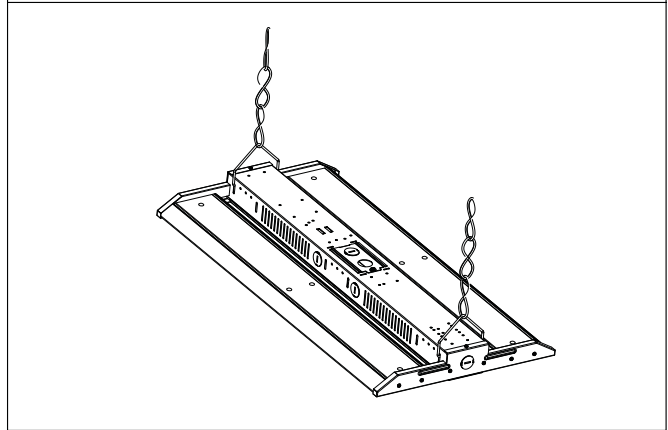


Chain Installation ■ ■ ■

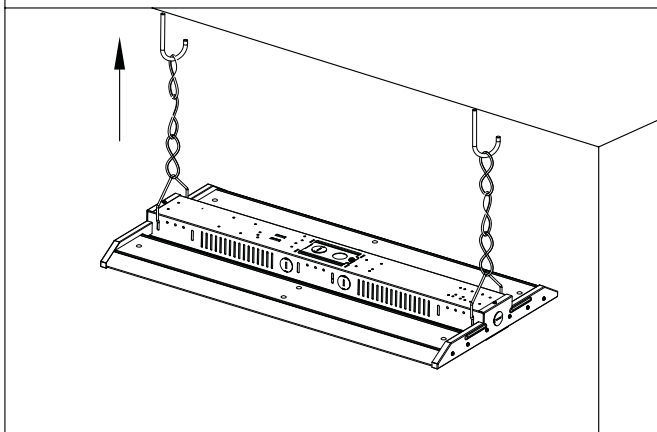
1. Hook the chain as below pic.



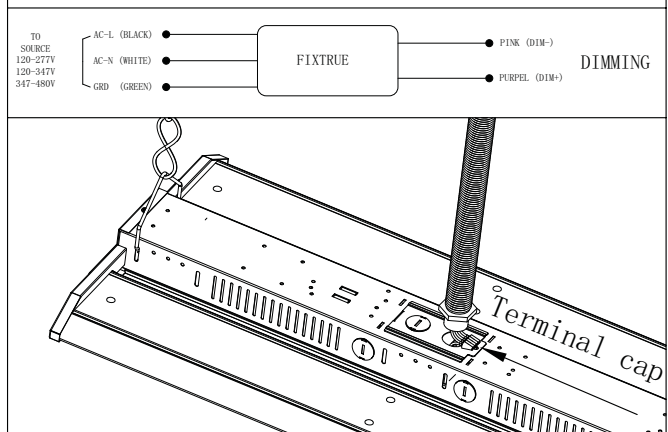
2. Insert the hook into the slotted holes, as shown below.



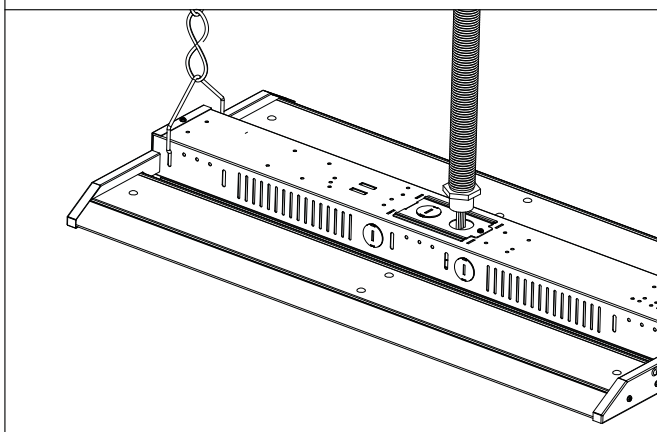
3. Hook up the chain on the ceiling anchor.



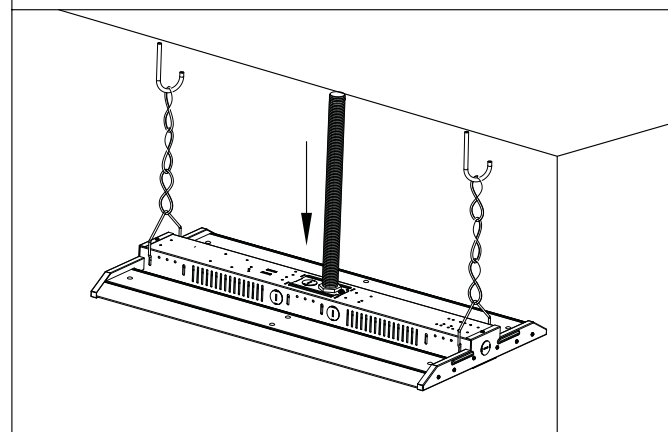
4. Turn off power, and make wiring connections with terminal cap (see wiring instruction below).



5. Insert the terminal cap and wires into the driver box.



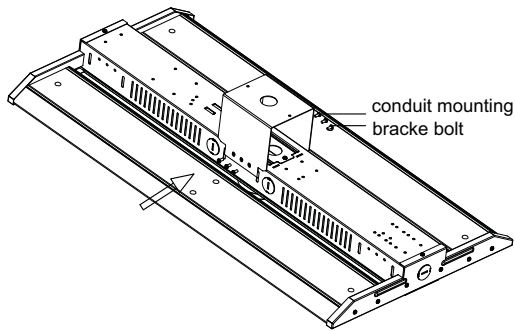
6. Insert the wire terminal joint to the wire entry. Installation completed.



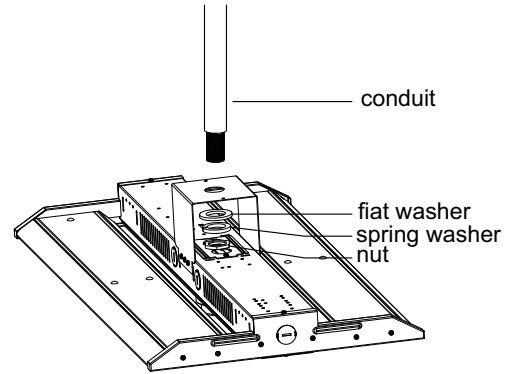
Pole Mounting Installation Instruction



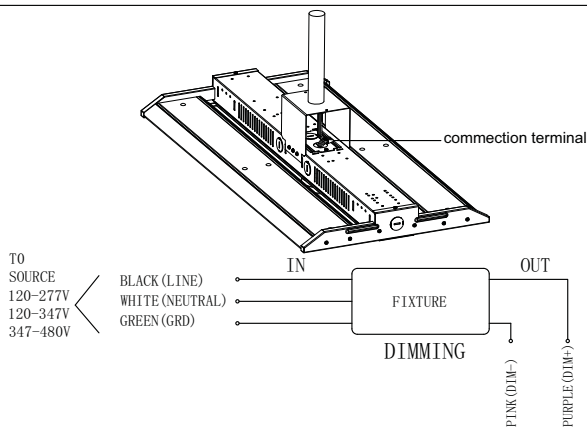
1. Screw the conduit mounting bracket to the fixture.



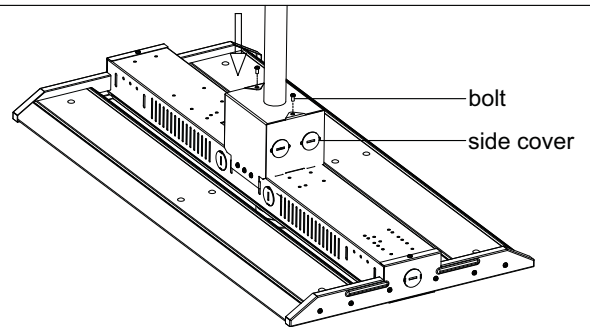
2. Lock the conduit with flat washer+ spring washer+nut on the mounting bracket.



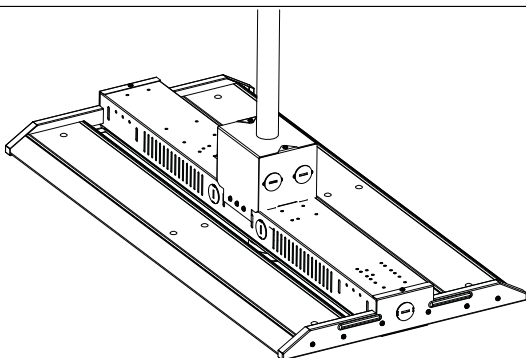
3. Wiring according to the circuit diagram.



4. Screw the side covers to conduit mounting bracket.

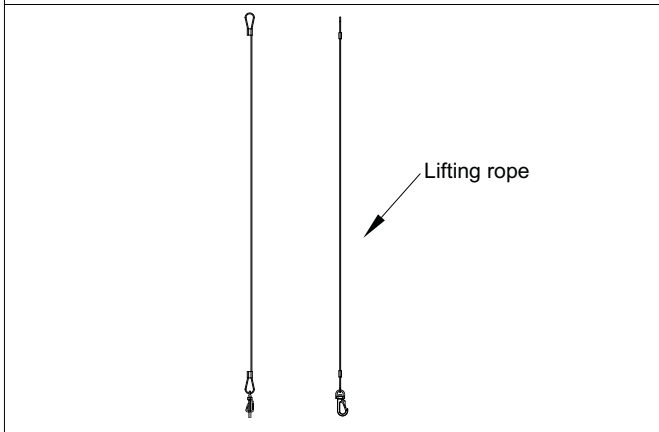


5. Pole Mounting installed.

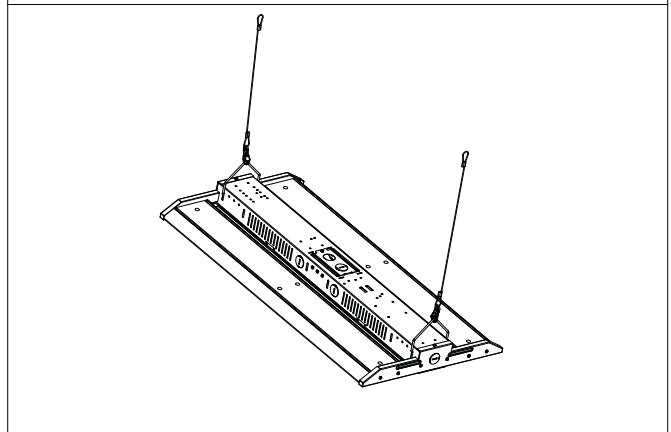


Lifting Rope Installation

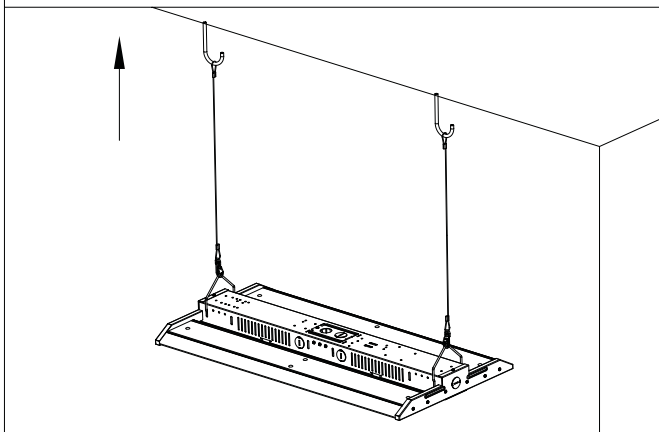
1. The hanging rope is shown below.



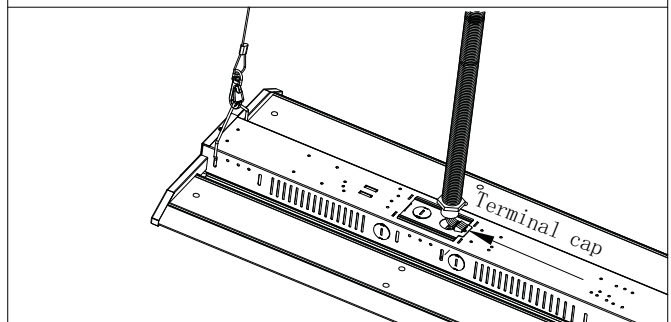
2. Insert the hook into the slotted holes, as shown below.



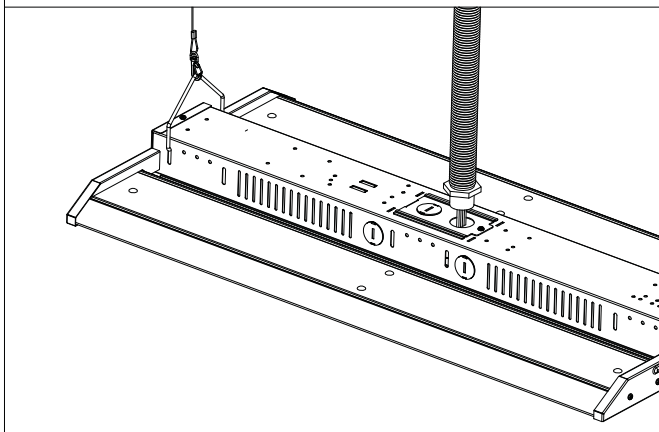
3. Hook the other end of Lifting rope to the ceiling anchor.



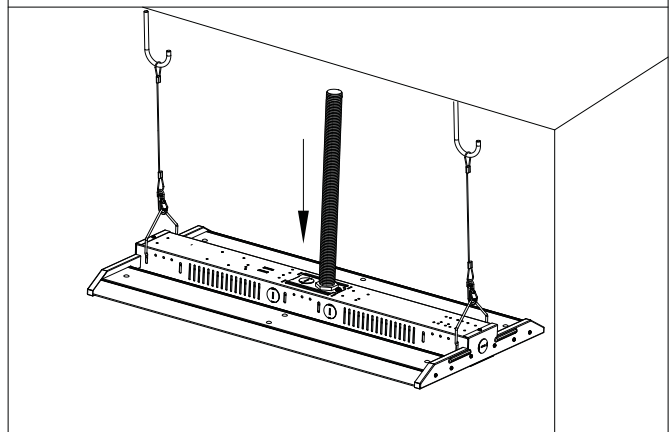
4. Turn off power, and make wiring connections with terminal cap (see wiring instruction below).



5. Insert the terminal cap and wires into the driver box.



6. Insert the wire terminal joint to the wire entry. Installation completed.



Applications



Packing /weight

Part No.	Outer box (L*W*H)	Qty/Ctn (pcs)	N.W/pcs (lbs/Kg)	G.W/Ctn (lbs/Kg)
TS-LHB5-2FT165W-H-HV-50K	26''*5.44''*14.3''(661*138*363mm)	2	7.1/3.2	17.6/8

Note

- 1.The installation and maintenance must be completed by electricians or professionals.
- 2.Please cut off the power before installation and maintenance.
- 3.The thermally insulating material is not allowed to cover the fixture.
- 4.Please keep away from the corrosive substance, and keep the fixture dry and clean.
- 5.Working temperature: -40°F~113°F(-40°C~45°C), storage temperature: -40°F~158°F(-40°C~70°C).