

# 150W LED Highbay

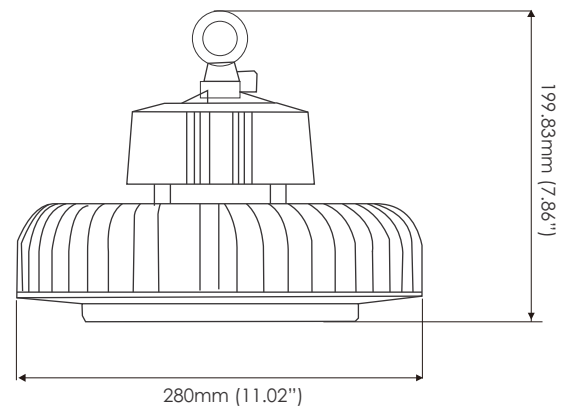
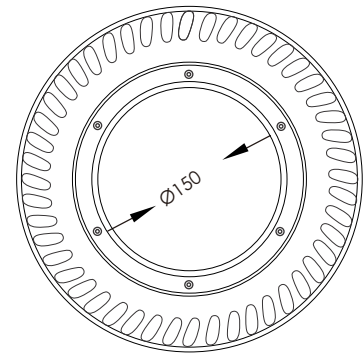
Part No: TS-HB04-150WMACGD1-50K



## Product Specifications

Power	150W
LED Type	LG or Philips
LED Qty	228
Color Temp	5000K
Beam Angle	120° (90° with aluminum reflector)
CRI	>80
Efficiency	>90%
Lumens	147lm/w
Lumens Output	21,977
Power Supply	MeanWell
Housing	AL
Operating Temp	-30°C to 50°C (-22°F ~ 122°F)
IP Rating	IP65 (Indoor use only)
Life Span	50,000 hours duty cycle
Voltage Range	AC100-277V
Frequency Range	50/60Hz
PF	≥0.95
Power Efficiency	≥90%
Warranty	5 Years limited

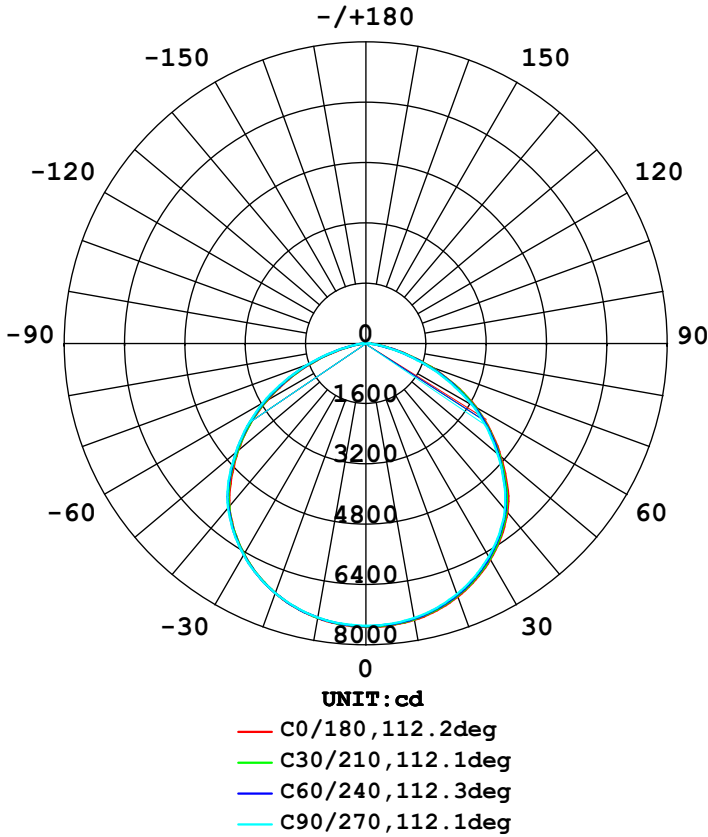
## Product Dimensions



# 150W LED Highbay

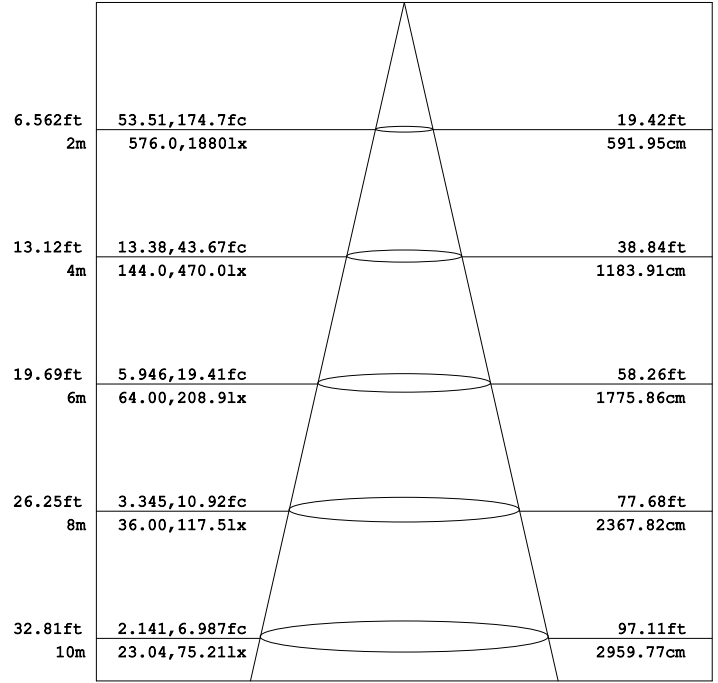
Part No: TS-HB04-150WMACGD1-50K

## Isolux Diagram



**AVERAGE BEAM ANGLE (50%) : 112.2 DEG**

Flux out: 15910 lm



Note: The Curves indicate the illuminated area and the average illumination when the luminaire is at different distance.

## Applications

Widely used in Factory, Workshop, Warehouse, Logistics Center Exhibition Hall, Gymnasium, Shipyard, Mining, Gas Station, Supermarket etc.

