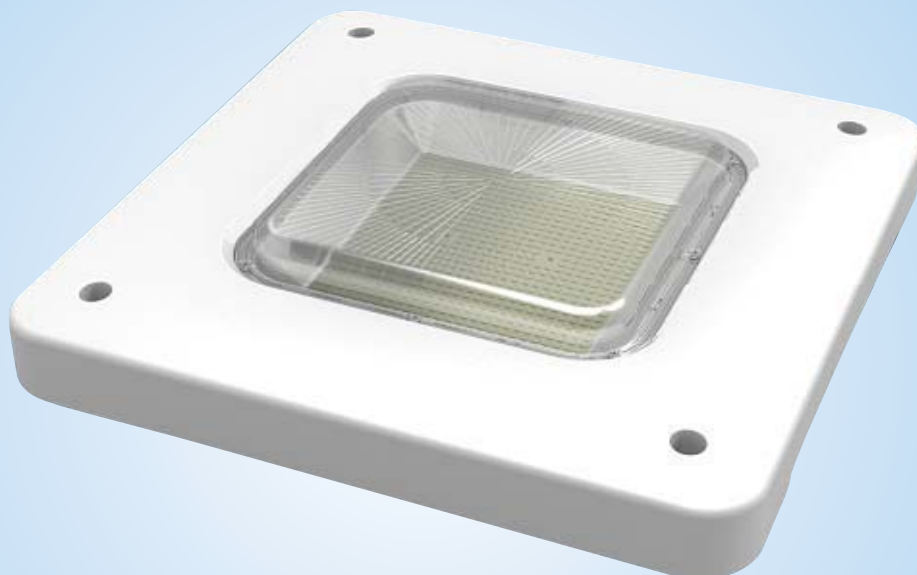


# LED CANOPY LIGHT



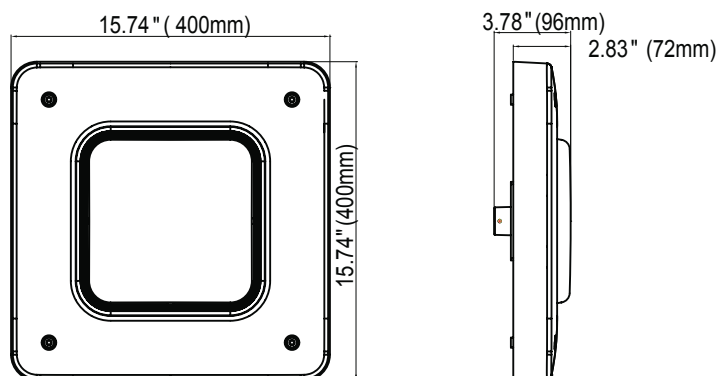
## Product Introduction

1. Uses professional optical technology to obtain 130 lumens per watt and project light down in a wide projection.
2. Fixture is designed for better cooling with Larger Size, aluminum Heat Sink to ensure long life performance.
3. Integrated driver, easy to install and operate.
4. UV stabilized, one-piece polycarbonate lens.
5. UL-classified to avoid electrical shock and fire hazard.
6. Ideal for lighting a car port, gas station, driveway canopy, gym, garage or any other high bay lighting locations.

## Product parameters

Model	CLS-CNP15-150W-50K	CLS-CNP15-150W-57K
Working Voltage	AC100-277V / AC277-480V	
LED Brand	2835 SAMSUNG	
Color Temperature	3000K,4000K,5000K,5700K	
Beam angle	110°	
Luminous Efficacy	130LM/W	
Color Rendering Index	Ra≥80	
Driver Brand	Sosen	
Working temperature	-4°F ~ +104°F	
Storage temperature	-22°F ~ +122°F	
Environment Location	Wet Location	
Lifespan	≥50000H	

## External Dimension



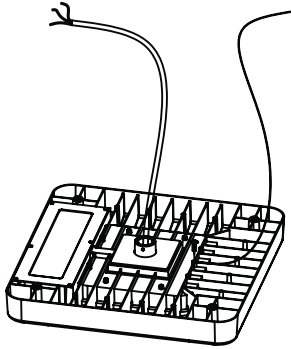
### Note:

All dimensions units are inch/metric with tolerances of  $\pm 1$ , unless there is noted.

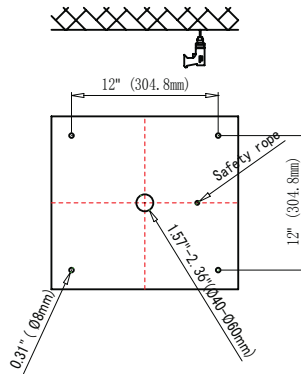
## Installation Instruction

### Installation method I : Ceiling Installation

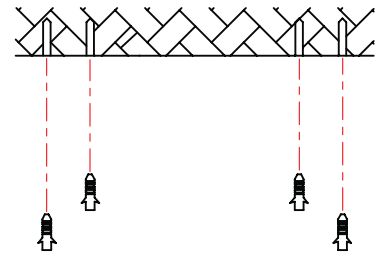
1. Fix the safety rope on the back of fixture by supplied screw PWM4\*8.



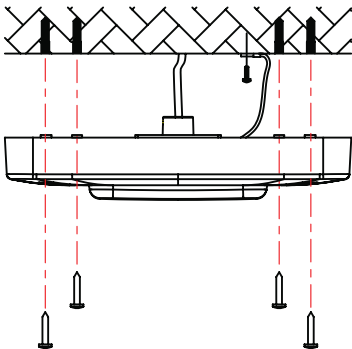
2. Drill 5 holes on the ceiling based on the diameter of supplied plastic anchor as picture, to make them match the holes on the fixture.



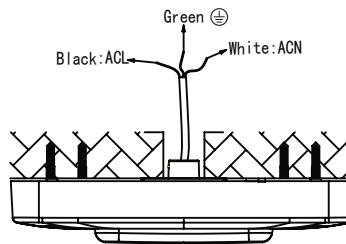
3. Screw the anchors to holes on ceiling respectively.



4. Screw the safety rope. And fix the fixture to the ceiling with tapping screws.

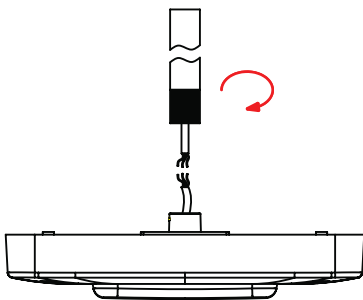


5. Connecting the wires respectively: Black-L, White-N, Green-earth.

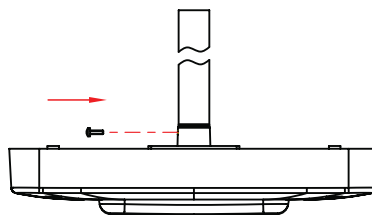


### Installation method II: Pole-pendent Installation

1. Connecting wires from fixture and 3/4" NPT thread with terminal caps as picture



2. Rotating the 3/4" NPT thread to make it fixed with lamp, and fix the NPT with supplied screw.



## Applications



## Packing /weight

Model	Carton Size (L*W*H)	QTY (pcs)	Net Weight (lbs)	Gross Weight (lbs)	Remarks
CLS-CNP15-150W-50K	18.5"*5.3"*18.9"	1	12.16	13.8	1M cable
CLS-CNP15-150W-57K					

## Cautions

1. Be certain electrical power is OFF before and during installation and maintenance.
2. Risk of fire or electric shock. Installation requires knowledge of electrical systems. For install by qualified electrician only. Do not attempt installation if not qualified.
3. To prevent wiring damage or abrasion, do not expose wiring to edges of sheet metal or other sharp objects.
4. Do not use the LED Canopy Light near heating appliances/ elements.
5. The input voltage and lamps should be matched after connecting the power line, please make sure the wiring section is insulated.

LED Canopy Light must be operated within an ambient temperature range of -30°C (-22°F) and 40°C (104°F).  
LED Canopy Light is not intended for use with emergency exits.