



P/N: AST-CLW08-075WXYA1-abck

Note:

AST= Brand name

CLW07E = Product series, LED Corn Light

075W = Rating Power

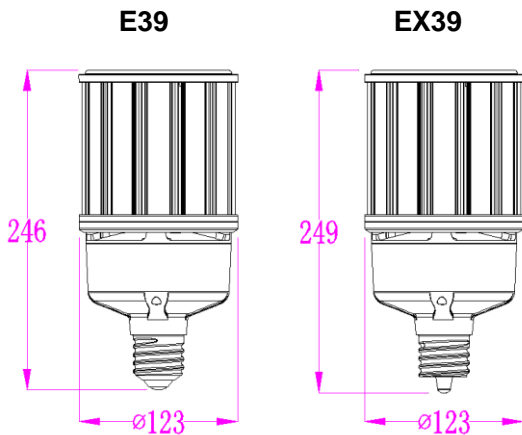
X = LED manufacturer, B=Lumileds, E=SAMSUNG

Y = represents diffuser types: "F" for frosted type and "C" for clear type

a=represent the lamp base type, can be "E" for E39, "EX" for EX39

c=represents CCT, can be two digital

## DIMENSIONS



## ADVANTAGE

- UL cUL certificate.
- E39 EX39 lamp base.
- 360 degree lighting.
- Can be with clear or frosted cover.
- Big heat sink, NO fan.
- Internal driver, input voltage AC100-277V.
- Meet 6KV surge immunity level
- Sealant pouring for whole driver and lamp plastic housing.
- Long lifespan and good heat dissipation.
- Direct replacement for Metal Halide, easy installation.
- Fits many different fixtures to replace traditional lamps.

## NOTICE FOR USER

- ◆ Please turn off power before install or change assembly parts.
- ◆ The input voltage and lamps should be matched, after connecting the power line, Please make sure the wiring section is insulated.
- ◆ Make sure to remove or bypass the ballast in the fixtures before install the lamps.
- ◆ Suitable for damp locations. Do not use with dimmers.
- ◆ Suitable for use in enclosed luminaires, min. lamp compartment dimensions: 420\*230\*230MM.
- ◆ No-professionals, must not install and disassemble the lamps.

## APPLICATION

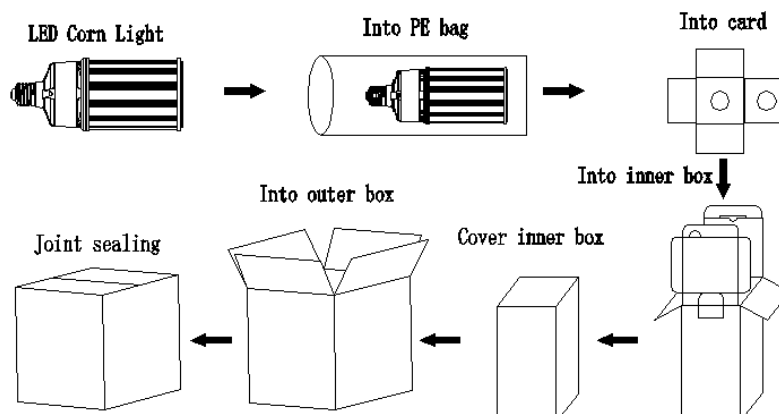
- Widely used in supermarket, warehouse, garage, home, office, hotel, hospital, school, street, garden etc.

## SPECIFICATIONS

<b>OPTICAL</b>	Input Power	75W
	Lumen	12500 LM (Clear)
	Lumen Efficacy	150LM/W (Clear)
	Color Temperature	2700-6500K
	CRI	>80
	Viewing Angle	360 Degree
<b>ELECTRICAL</b>	Input Voltage	100-277VAC 50/60Hz
	PF	≥0.9
	THD	≤20%
	Equivalent	150W CFL, 250W MHL/HPS/HID
<b>MATERIALS</b>	LED Brand	Lumileds / SAMSUNG
	LED Type	SMD2835
	LED QTY	240 PCS
	Housing	PC + Aluminum
	Housing Color	Any colour
	Cover	Clear
<b>OTHERS</b>	Operating Temperature	-40°C TO 45°C
	Operating Humidity	20%-70% RH
	Storage Temperature	-40°C TO 80°C
	Storage Humidity	10%-75% RH
	Warranty Time	5 Years

## PACKAGE

	Size	Qty / Carton	Net Weight / Carton	Gross Weight / Carton
Inner box	275*130*130 MM	1 PC	1.38 KG	1.54 KG
Outer box	405*275*295MM	6 PCS	8.28 KG	9.88 KG



## LIGHT DISTRIBUTION TESTING PARAMETERS

Remark: The testing data comes directly from the product test.

### Luminaire Property

Luminaire Manufacturer:  
Voltage: 120.6 V  
Power: 79.95 W

Current: 0.668 A  
Power Factor: 0.992

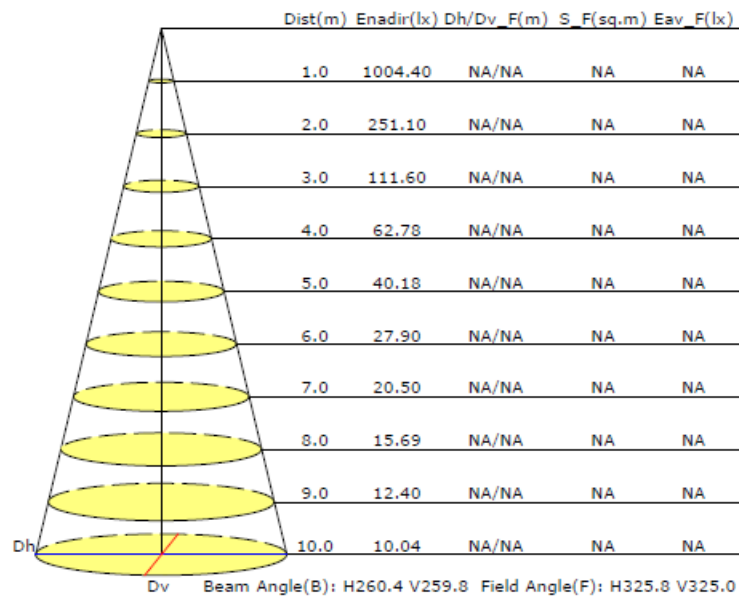
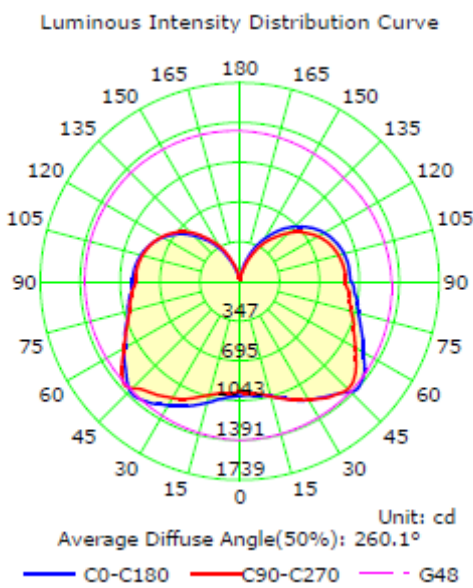
### Photometric Results

CIE Class: Semi-Direct  
Measurement Flux: 11533.5 lm  
Downward Ratio: 62%  
Horizontal Diffuse Angle(50%): H261.5  
Vertical Diffuse Angle(50%): V260.6  
Luminaire Efficacy Rating (LER): 144.31  
Max. Intensity: 1391.72 cd  
S/MH(C0/C180): 1.94

Total Rated Lamp Lumens: 11533.5 lm  
Efficiency: 100%  
Upward Ratio: 38%

Central Intensity: 1004.4 cd  
Pos of Max. Intensity: H0 V48  
S/MH(C90/C270): 1.95

### Illuminance at a Distance(Field Angle)



## TROUBLE SHOOTINGS

Troubles	Check points
Flickering of the light	Turn off the power and turn on again in 3 minutes. If same phenomena occur, then call agencies.
Out of working	Please check the connection.