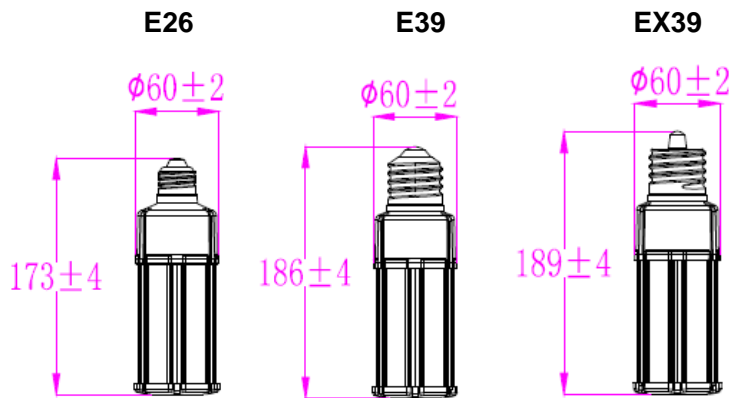




ASmart LIGHT CO., LIMITED
 E-mail: sales@asmart-light.com
 www.asmart-light.com



DIMENSIONS



NOTICE FOR USER

- Please turn off power before install or change assembly parts.
- The input voltage and lamps should be matched, after connecting the power line, Please make sure the wiring section is insulated.
- Make sure to remove or bypass the ballast in the fixtures before install the lamps.
- Suitable for damp locations. Do not use with dimmers.
- Suitable for use in enclosed luminaires, min. lamp compartment dimensions: 340*200*200MM.
- No-professionals, must not install and disassemble the lamps.

P/N: AST-CLW08E-027WXYA1-adcK

Note:

AST= Company name

CLW08E= Product series, LED Corn Light

027W = Rating Power

X = LED manufacturer, B= LUMILEDS

Y = Cover type, X=C, for Clear cover;

X=F, for Frosted cover

a= represent the lamp base type, can be "E" for E39, "EX" for EX39, BLANK for E26.

d= dimming type: "L" for Continuous dimming and "S" for Segmented dimmer

cK=CAXX, XXcan be two digital. 27K=2700K, 30K=3000K, 35K=3500K, 40K=4000K, 50K=5000K, 57K=5700K, 65K=6500K.

ADVANTAGE

- UL cUL certificate.
- E26 E39 EX39 lamp base.
- Can be with clear or frosted cover.
- Big heat sink, NO fan.
- Internal driver, input voltage AC100-277V. 0-10V dimming.
- Meet 4KV surge immunity level
- Two dimming options are available, continuous dimming or segmented dimmer
- Long lifespan and good heat dissipation.
- Easy installation.
- Fits many different fixtures to replace traditional lamps.

APPLICATION

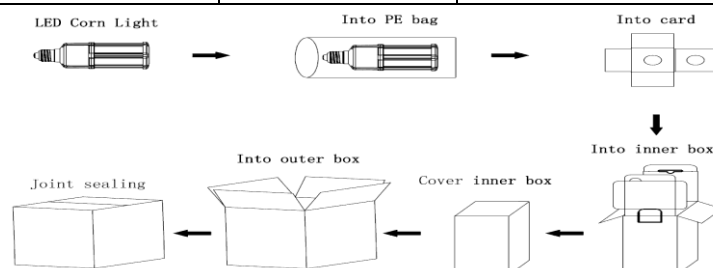
- Widely used in supermarket, warehouse, garage, home, office, hotel, hospital, school, street, garden etc.

SPECIFICATIONS

OPTICAL	Input Power (Tolerance : ±10%)	27W			
	Color Temperature	2700K	3000K	3500K	4000-6500K
	Lumen (Tolerance : -10%)-In Luminaires	3510LM	3780LM	3834LM	4050LM
	Efficacy (Tolerance : -3%)-In Luminaires	130LM/W	140LM/W	142LM/W	150LM/W
	CRI	>80			
	Color Consistency	6 Steps (or <6 SDCM)			
	Diffuser Type	Clear (Optional :Frosted)			
	Viewing Angle	280 Degree			
ELECTRICAL	Input Voltage	100-277VAC 50/60Hz			
	PF	≥0.9			
	THD	≤20%			
	Flicker Percent	<30%			
	Driver Surge protection	L-N: 4kV			
	Dimmable	YES			
	Equivalent	60W CFL, 100W MHL/HPS/HID			
MATERIALS	LED Brand	Lumileds			
	LED Type	SMD2835			
	LED QTY	112 pcs			
	Housing	PC + Aluminum			
	Housing Color	Any colour			
	Waterproof Rating	IP64			
OTHERS	Operating Temperature	-40°C TO 50°C			
	Operating Humidity	20%-70% RH			
	Storage Temperature	-40°C TO 80°C			
	Storage Humidity	10%-75% RH			
	Warranty Time	5 years warranty with 24/7 operating hours lamp lifetime at 25°C and in installed fixture.			

PACKAGE

	Size	Qty / Carton	Net Weight / Carton	Gross Weight / Carton
Inner box	65*65*215MM	1 PC	0.28 KG	0.38 KG
Outer box	280*215*450MM	24 PCS	6.75 KG	10.2 KG



LIGHT DISTRIBUTION TESTING PARAMETERS

Remark: The testing data comes directly from the product test. < PC Clear >

Luminaire Property

Luminaire Manufacturer:
Voltage: 120.8 V
Power: 25.64 W

Current: 0.216 A
Power Factor: 0.984

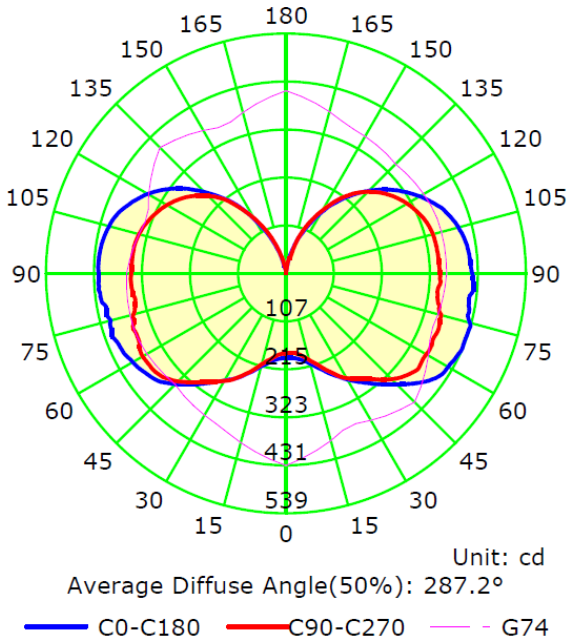
Photometric Results

CIE Class: General Diffuse
Measurement Flux: 3891.4 lm
Downward Ratio: 55%
Horizontal Diffuse Angle(50%): H283.6
Vertical Diffuse Angle(50%): V291.8
Luminaire Efficacy Rating (LER): 151.82
Max. Intensity: 431.49 cd
S/MH(C0/C180): 2.48

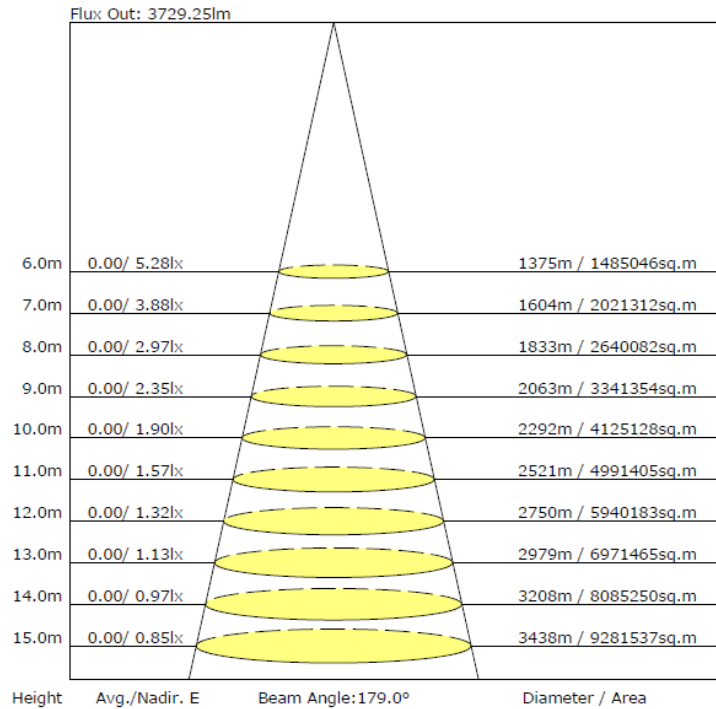
Total Rated Lamp Lumens: 3891.4 lm
Efficiency: 100%
Upward Ratio: 45%

Central Intensity: 190.14 cd
Pos of Max. Intensity: H0 V74
S/MH(C90/C270): 2.48

Luminous Intensity Distribution Curve



The Average Illuminance Effective Figure



TROUBLE SHOOTINGS

Troubles	Check points
Flickering of the light	Turn off the power and turn on again in 3 minutes. If same phenomena occur, then call agencies.
Out of working	Please check the connection.