



Applications:

Facade, Wall Washing, Landscape lighting, Poster board lighting, Building lighting.

Features

- Rugged aluminum housing with UV resistant powder coat finish offers outstanding corrosion protection.
- Lumen output 1500-5400lm with efficacy to 120lm/W
- Three installation for option: 1/2" knuckle mount or trunnion or wall mount
- Wide Flood beam spread 7H x 7V
- Long life LEDs lasting up to 50,000hours
- Fixtures are suitable for use in ambient from -40°C to 45°C (-40°F ~ 113°F).
- UL wet location listed and DLC qualified



Size: 15W



Size: 30W



Size: 45W



ELECTRICAL DATA

Number Of Drivers	Driver Current (mA)	Nominal Power (W)	INPUT VOLTAGE (V)	CURRENT (Amps)
1	250	15	120	0.13
		15	208	0.07
		15	240	0.06
		15	277	0.05
1	430	30	120	0.25
		30	208	0.14
		30	240	0.13
		30	277	0.11
1	1100	45	120	0.38
		45	208	0.22
		45	240	0.19
		45	277	0.16

PERFORMANCE DATA

SYSTEM WATTS	VOLTAGE	DIST. TYPE	4000K(70CRI)		5000K(70CRI)	
			LUMENS	LPW	LUMENS	LPW
15W	120-277V	7Hx7V	1500lm	100 lm/W	1500lm	100 lm/W
30W	120-277V	7Hx7V	3000lm	100 lm/W	3000lm	100 lm/W
45W	120-277V	7Hx7V	5400lm	120 lm/W	5400lm	120 lm/W

ORDERING GUIDE

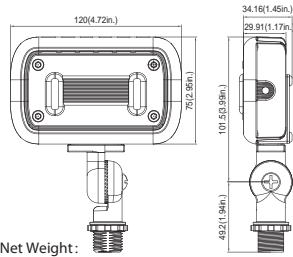
Example: CLSFD15W27V50KBDB77KN

Fixture Type	Wattage	Voltage	CCT	CRI	Finish	Beam Angle	Mounting	Internal Code
CLSFD	15W 15W 30W 30W 45W 45W	27V 120-277V	30K 3000K 35K 3500K 40K 4000K 50K 5000K	B 70CRI	D Dark Bronze B Black W White	B77 7Hx7V	KN Knuckle Mount TR Trunnion Mount	Blank Alphanumeric

DIMENSIONS

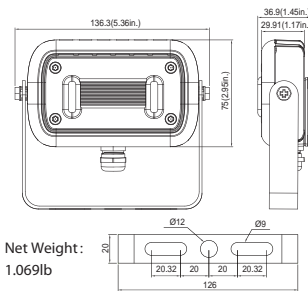
unit: mm/inch

15W(Knuckle Mount)



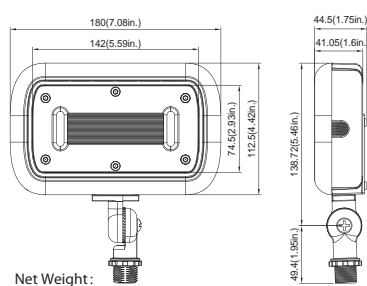
Net Weight:
0.939lb

15W(Trunnion Mount)



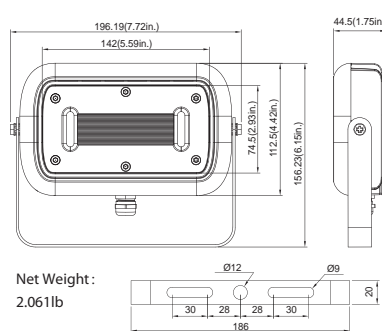
Net Weight:
1.069lb

30W(Knuckle Mount)



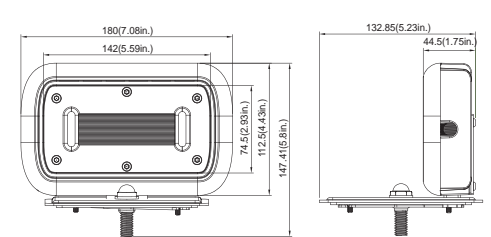
Net Weight:
1.887lb

30W(Trunnion Mount)



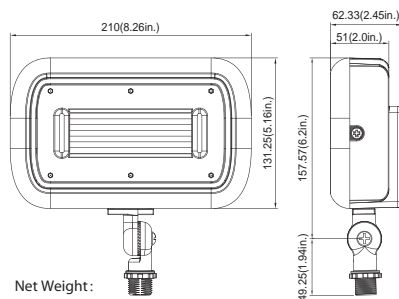
Net Weight:
2.061lb

30W(Wall Mount)



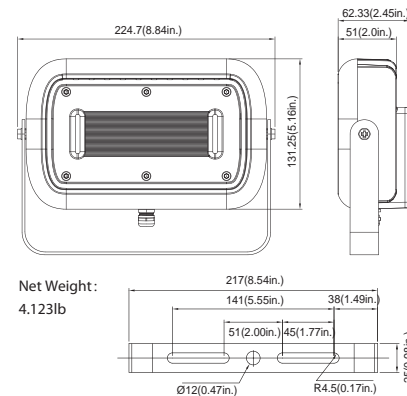
Net Weight:
2.911lb

45W(Knuckle Mount)



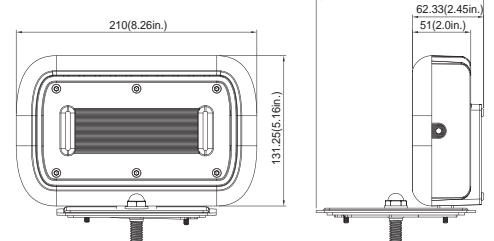
Net Weight:
3.893lb

45W(Trunnion Mount)



Net Weight:
4.123lb

45W(Wall Mount)



Net Weight:
4.519lb

MOUNTING

1/2" Knuckle Mount

Die-cast aluminum knuckle provides flexibility in mounting from a variety of areas.



Trunnion Mount

Die-cast aluminum trunnion is easily adapted to many surfaces and allows easy fixture aiming angles.



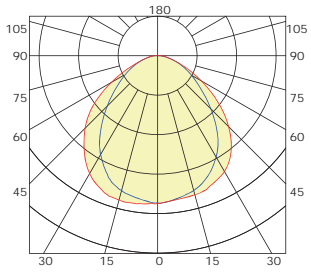
Wall Mount (30W & 45W)

Wall Mount is easy to install for direct wall mounting with 1/2" conduit wiring or standard J-box mounting

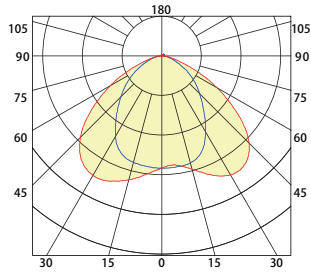


PHOTOMETRICS

15W



30W



45W

