



Applications:

Gardens, Park, Courtyard, squares, Greenway and other places.

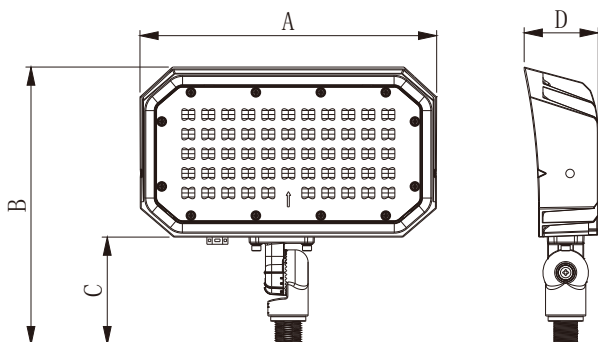
Features

- Delicate appearance design.
- Unique rectangular octagonal design endows the floodlight a sense of strength.
- Good heating dissipation.
- Using the material of ADC 12 aluminum alloy as radiator.
- Low light attenuation. High consistency on lamp direction.
- Using structural waterproofing, the floodlight has a high waterproof rate of IP65.
- Kunckle mount. User-friendly design, high installation efficiency.
- Input Voltage: AC120-277V. Efficacy up to 120lm/W.
- Working temperature: -40 °F to +113 °F.
- Photocell optional.
- UL listed and DLC qualified. Wet location.



Dimension

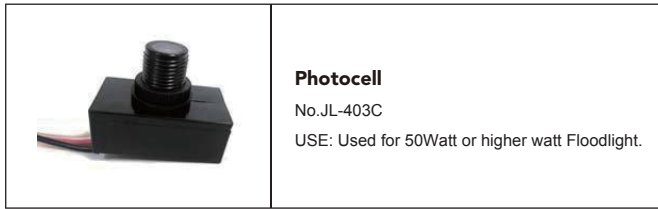
unit: inch/mm



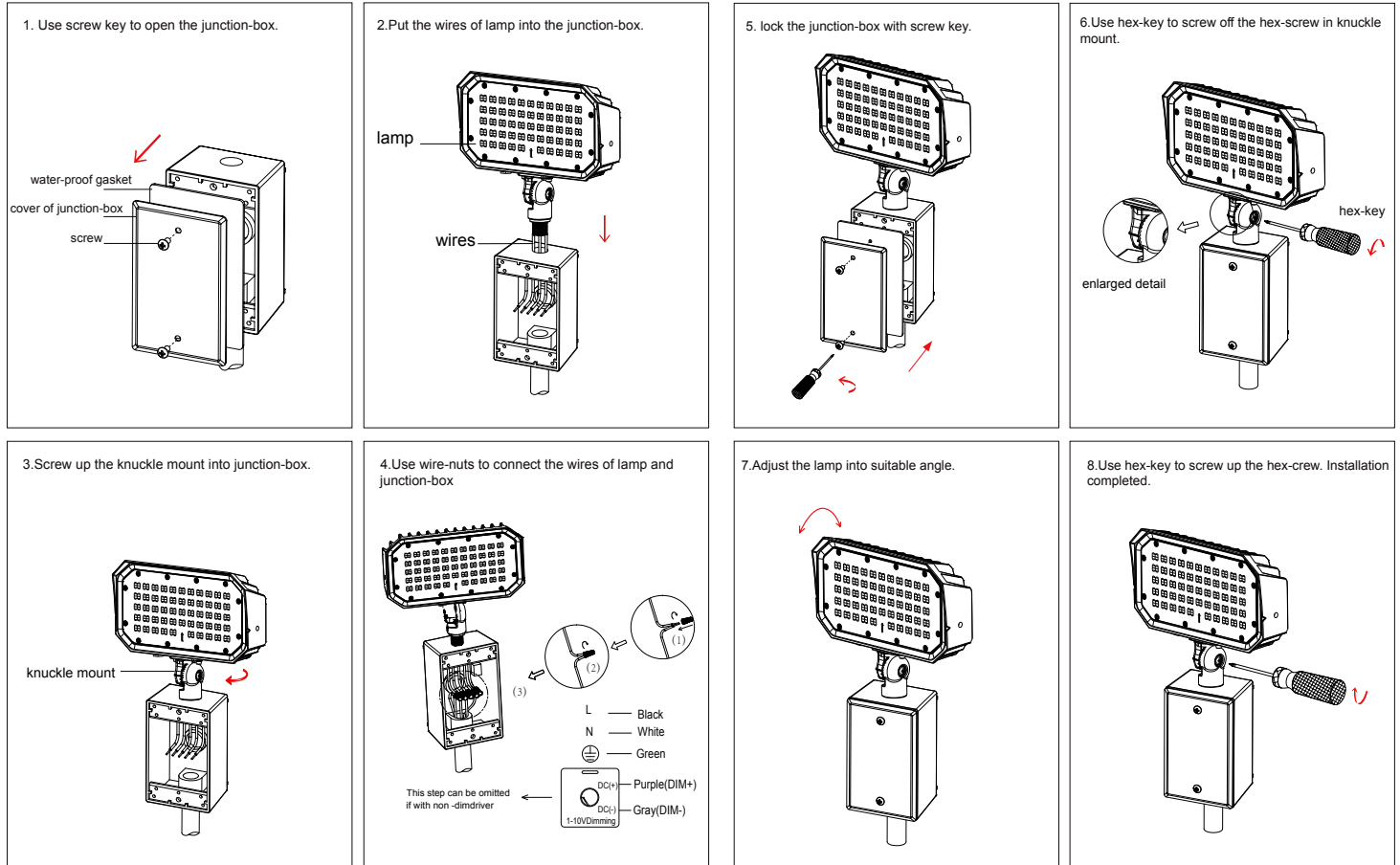
(Knuckle)

ITEM	A	B	C	D
FL08-50W	9.0"	8.4"	2.2"	2.3"
FL08-30W	7.0"	7.2"	3.3"	2.0"
FL08-15W	5.1"	6.1"	3.3"	1.8"

Accessories



Installation Instruction(kunckle)



ORDERING GUIDE Example: TS-FL0805-50W-80*110-D-K-50K

Fixture Type	Power Consumption	Beam Angle	Dimming	Installed Mount	CCT
<input type="checkbox"/>	<input type="checkbox"/>	<input type="checkbox"/>	<input type="checkbox"/>	<input type="checkbox"/>	<input type="checkbox"/>
TS-FL0802 TS-FL0803 TS-FL0805	15W 30W 50W	80*110	D	K Knuckle Y Yoke S Slip-fitter	40K 4000K 50K 5000K

DLC Model# TS-FL0802-15W-80*110-[K,Y,S]-D-50K
 DLC Model# TS-FL0803-30W-80*110-D-[S;K;Y]-50K
 DLC Model# TS-FL0805-50W-80*110-D-[S;K;Y]-50K