

TY-BUS-30-150W Retrofit Bulb Specification



Our high-power bulb light with advanced thermal management and unique architecture design. Using air-cooled design with a patented, high luminous flux maintenance rate and low wear and tear the whole lamp life of 30,000 hours, and can be completely replacing the high-power energy-saving lamps and mining lamp.

- Wattage: 30W/40W/50W/60W
80W/100W/120W/150W
- Input Voltage: 100-277V/AC (50-60Hz); Power Factor >0.90;
- Light Source: Philips 3030 Ra>80 ; Philips 5050 Ra>70
- Efficacy: up to 125lm/W; Lumen Output: 3,650- 18,800lm)
- Beam Angle: Type III (90°X 150°) or Type V (150°)
- Housing: AL+PC
- Operation Temp: -20°C to +50°C
- Limited Warranty: 5 Years
- Recommended Installation Height:3-15m
- Lamp Base: E26/E27, E39/E40

Models

Model No.	Power (W)	Lumen Output (Lm)				Efficacy	Voltage Range (V)	Size (mm)	Weight (kg)
		3000K	4000k	5000K	6000K				
TY-BUS-30	30 ± 1W	3650	3700	3750	3800	125lm/W	100-277V/AC (50-60Hz)	245(L)X112(W)X94(H)mm	0.63kg
TY-BUS-40	40 ± 1W	4900	4950	5000	5050	125lm/W		E26/27	0.63kg
TY-BUS-50	50 ± 1W	6150	6200	6250	6300	125lm/W		247(L)X112(W)X94(H)mm	0.63kg
TY-BUS-60	60 ± 3W	7400	7450	7500	7550	125lm/W		E39/40	0.63kg
TY-BUS-80	80 ± 5W	9900	9950	10000	10050	125lm/W			1.1kg
TY-BUS-100	100 ± 5W	12400	12450	12500	12550	125lm/W			1.1kg
TY-BUS-120	120 ± 10W	14900	14950	15000	15050	125lm/W		295(L)X133(W)X111(H)mm	1.1kg
TY-BUS-150	150 ± 10W	18650	18700	18750	18800	125lm/W		E39/40	1.1kg

Technical Specification

Warranty: These LED products will be free from defects in materials and workmanship for a period of five (5) years from the date of delivery to the end user.

Qualifications: ETL/DLC CE/Rohs Certificate, IESNA LM79&LM-80 Testing

LED Characteristics: 100,000-hours LED lifespan based on IES LM-80 results and TM-21 calculations. Multi-chip, high-output, long-life LEDs. Color Rendering Index>83, R9>18

TY-BUS-30-150W Retrofit Bulb Specification

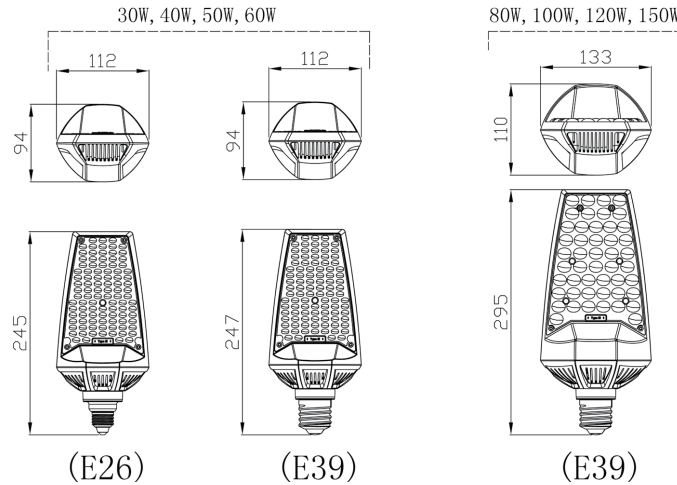
Technical Specification

Ambient Temperature: -20°C-50°C

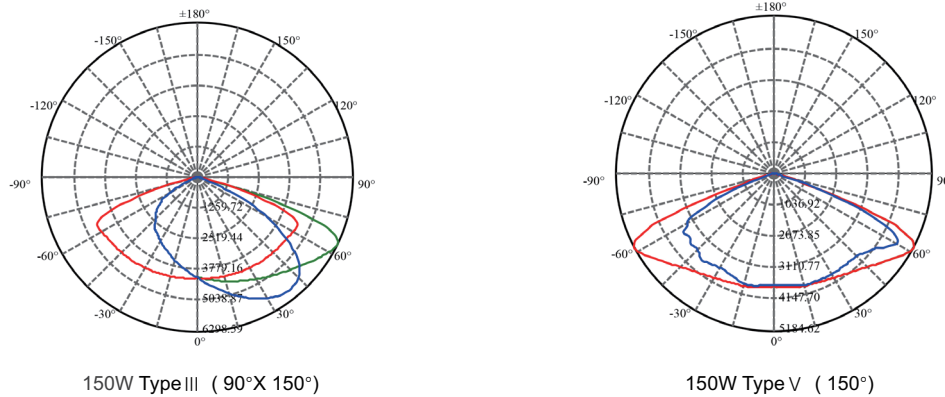
Application: This lamp can be used for indoor or outdoor applications. Typically can used for warehouses, garages, gymnasiums or buildings with high ceilings and high mounting heights to cover large areas of space.

Thermal Management: Active thermal management (Fan) with external Heatsink.

Dimension (mm)



Light distribution curve



Packing

Model No:	Inner box (Size: cm)	Outer box (Size: cm)	Net Weight/ Carton(KG)	Gross Weight/ Carton(KG)	Qty/ Carton (PCS)	Qty/ Carton(PCS)		
						20'	20'	40'HQ
TY-BUS-30-60	10.6*10.6*26	55*44*27.5	15.2	16.2	20	7500	15260	18040
TY-BUS-80-150	12*12*30.4	64.2*39.2*32.5	19.5	20.5	15	4935	10050	11880

Notice for user:

- Make sure the power off before installation
- Make sure the lamp working within right voltage range