



## Applications:

Suitable for commercial, retail and institutional applications including gymnasiums, factories and warehouses.

## Features

- Offering quality lighting and excellent energy savings compared to linear fluorescent and HID highbay fixtures.
- Voltage is 120-277V.
- Motion Sensor optional and supports Emergency Battery.
- Lumen output from 10400-39000lm with efficacy up to 130lm/W.
- Standard 1-10V dimming available.
- Projected life span of 50,000 hrs.
- Operating temperature is -40°C to 55°C (-40°F to 131°F).
- UL and DLC qualified.
- FCC compliant.

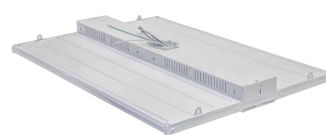
80W&110W



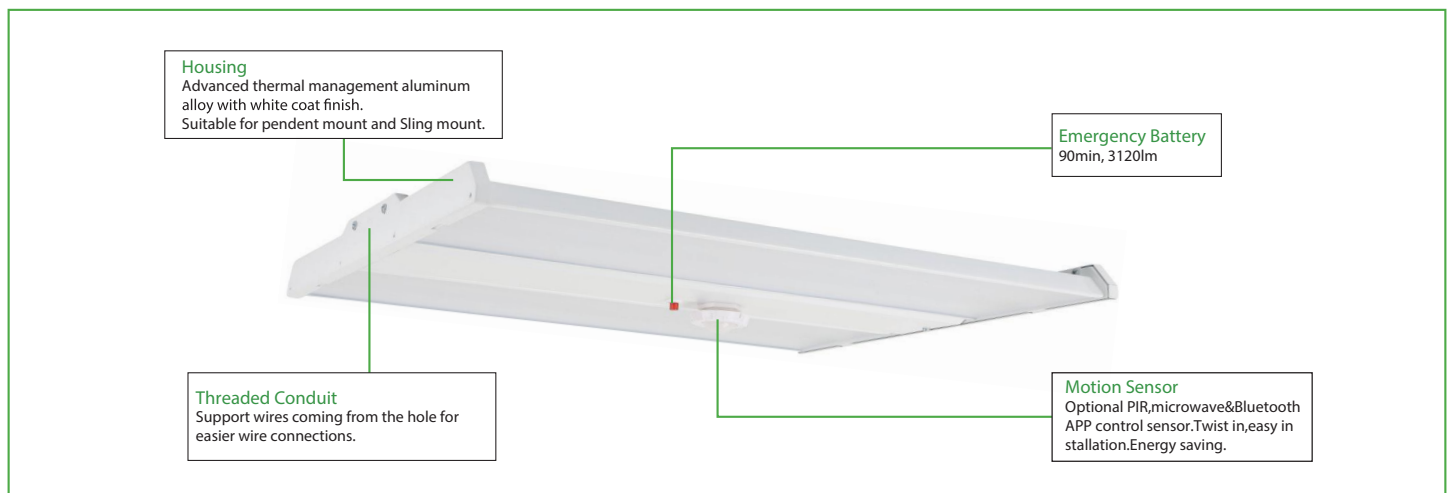
165W



220W



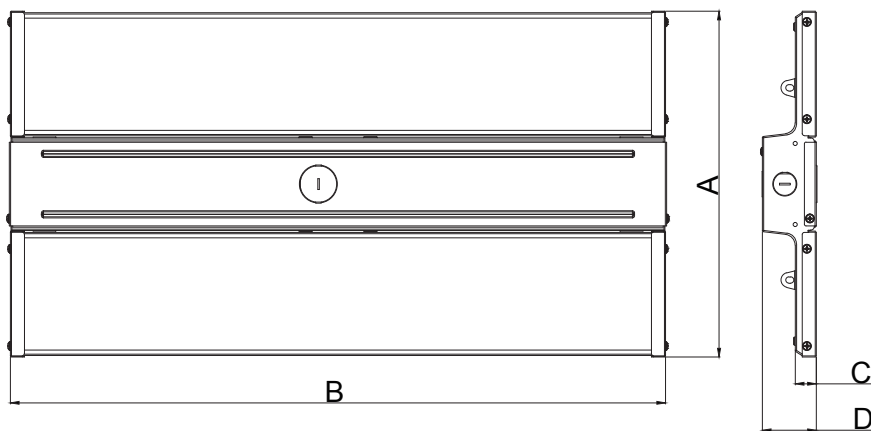
225W&300W



# Specification

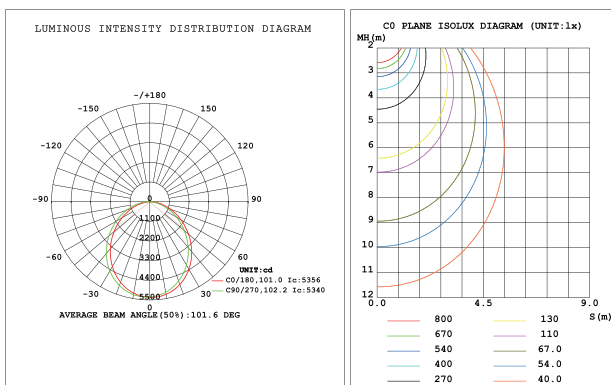
Name	Size	Part No.	Power	Input Voltage	Input Current	LED Strip	PF	Light Efficacy	CCT	Ra
Linear high bay	2FT	TS-FHB1-80W	80W MAX	AC120-277V	0.8A	2	>0.9	130lm/W	4000K 5000K	80
		TS-FHB1-110W	110W MAX		1A	2				
		TS-FHB2-165W	165W MAX		1.6A	4				
		TS-FHB3-220W	220W MAX		2A	6				
	4FT	TS-FHB5-225W	225W MAX		2A	4				
		TS-FHB5-300W	300W MAX		2.8A	6				

# Product Dimension



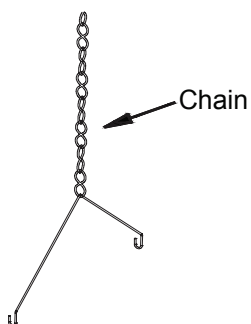
Part No.	A	B	C	D
TS-FHB1-80W	9.60"	23.83"	0.79"	1.97"
TS-FHB1-110W				
TS-FHB2-165W	12.60"	23.83"	0.79"	1.97"
TS-FHB3-220W	17.32"	23.83"	0.79"	1.97"
TS-FHB5-225W	12.60"	45.98"	0.79"	1.97"
TS-FHB5-300W				

# Testing Report

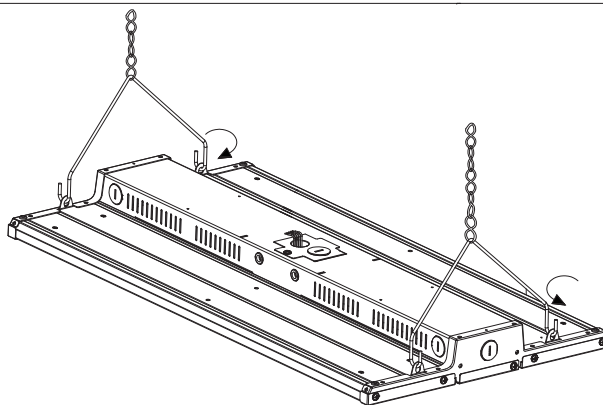


# Chain Installation

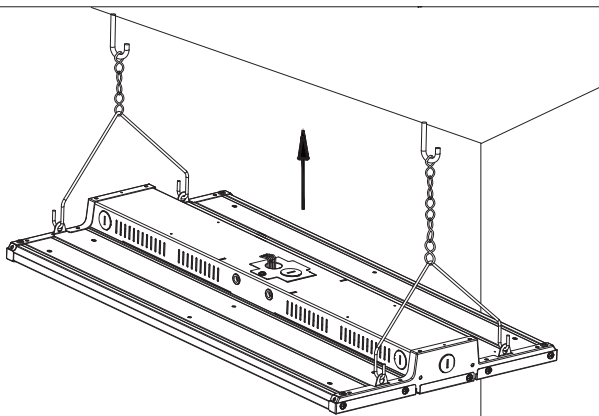
1. Hook the chain as below pic.



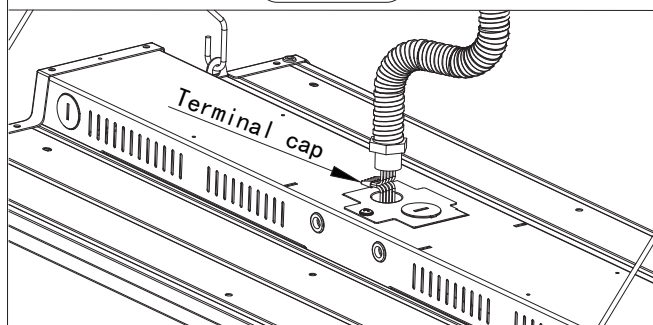
2. Insert the hook into the slotted holes, as shown below.



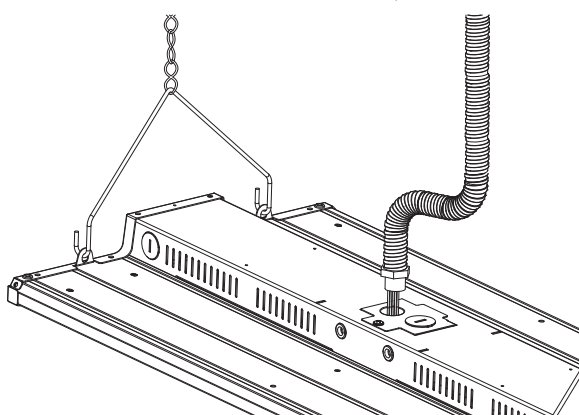
3. Hook up the chain on the ceiling anchor.



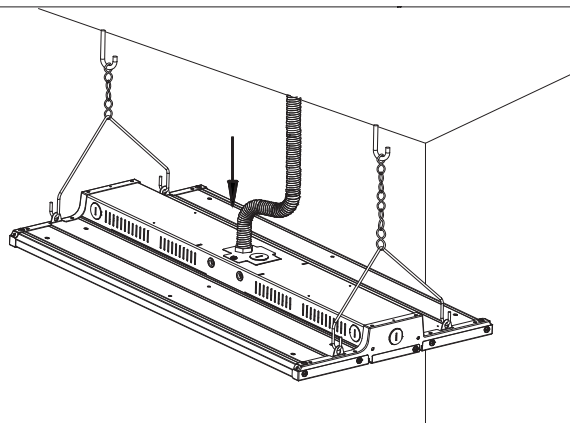
4. Turn off power, and make wiring connections with terminal cap (see wiring instruction below).



5. Insert the terminal cap and wires into the driver box.



6. Insert the wire terminal joint to the wire entry. Installation completed.



# ORDERING GUIDE

Example: TS-FHB2-165W-H-50K[Blank;(MS)]

Fixture Type	Size	Wattage	Efficacy	CCT	Sensor (Option)	Backup Battery (Option)
<input type="checkbox"/>	<input type="checkbox"/>	<input type="checkbox"/>	<input type="checkbox"/>	<input type="checkbox"/>	<input type="checkbox"/>	<input type="checkbox"/>
<b>TS-FHB</b>	<b>1</b> 9.60" x 23.83"	<b>80</b> 80W	<b>H</b> 130LM/W	<b>40K</b> 4000K	<b>MS</b> Motion Sensor <b>Blank</b> Without Sensor	<b>EM</b> Emergency Battery <b>Blank</b> Without Emergency Battery
	<b>2</b> 12.6" x 23.83"	<b>110</b> 110W	<b>H1</b> 150LM/W	<b>50K</b> 5000K		
	<b>3</b> 17.32" x 23.83"	<b>165</b> 165W				
	<b>5</b> 12.6" x 45.98"	<b>220</b> 220W				
		<b>225</b> 225W				
	<b>300</b> 300W					

## DLC Model No.

SYSTEM WATTS	VOLTAGE	CCT	LED NO.	DLC NO.	DLC Classification
80W	120-277V	4000K	2835	TS-FHB1-80W-H-40K	Premium
	120-277V	5000K	2835	TS-FHB1-80W-H-50K	Premium
110W	120-277V	4000K	2835	TS-FHB1-110W-H-40K[(MS);Blank]	Premium
	120-277V	5000K	2835	TS-FHB1-110W-H-50K[(MS);Blank]	Premium
165W	120-277V	4000K	2835	TS-FHB2-165W-H-40K[Blank;(MS)]	Premium
	120-277V	5000K	2835	TS-FHB2-165W-H-50K[Blank;(MS)]	Premium
220W	120-277V	4000K	2835	TS-FHB3-220W-H-40K[(MS);Blank]	Premium
	120-277V	5000K	2835	TS-FHB3-220W-H-50K[(MS);Blank]	Premium
225W	120-277V	4000K	2835	TS-FHB5-225W-H-40K	Premium
	120-277V	5000K	2835	TS-FHB5-225W-H-50K	Premium
300W	120-277V	4000K	2835	TS-FHB5-300W-H-40K	Premium
	120-277V	5000K	2835	TS-FHB5-300W-H-50K	Premium